

TRG2  
TRG22

## Room thermostats

single step / double step (industrial model)




---

**Room thermostats for temperature control and monitoring in commercial and industrial installations**

- Adjustment range – 5 ... 50 °C
- Contact rating AC 250 V / 10(2) A
- TRG22 : 2 change-over switches, operating in sequence

**Use**

The two room thermostat types TRG2 and TRG22 are used for control and monitoring of temperatures. Their robust construction makes them especially suitable for use in commercial and industrial installations, and in rooms with high air humidity.

**Type summary**

Two different types are available, distinguished by the number of switches.

- TRG2** Room thermostat, one switch  
**TRG22** Room thermostat, two switches

**Ordering**

When placing an order, please specify the quantity, product description and type code.

*Example:*

**3 room thermostats, type TRG22**

**Technical design**

The sensor in the TRG2...room thermostats operates according to liquid expansion principles. When the room temperature rises to the pre-selected setpoint, the thermostat switches over.

The two step room thermostat TRG22 has two change-over switches operating in sequence. The switching interval is adjustable in the range 2 ...12 K.

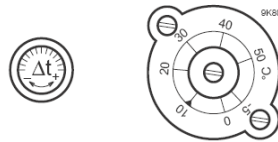
For adjustments and operating diagrams see page 2.

## Adjustments

To make adjustments, it is necessary to remove the housing cover.

### TRG2

Switching differential  $\Delta t$   
0.7 ... 6 K adjustable

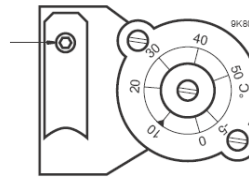


Setpoint  $X_k$   
– 5 ... 50 °C  
adjustable

### TRG22

Switching interval  $\Delta x$   
between steps ...12 K

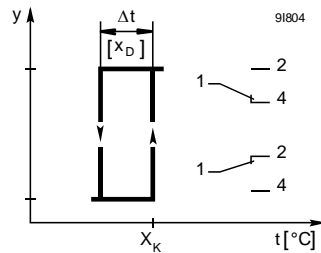
Switching differential  $\Delta t$   
of both steps fixed at 2 K



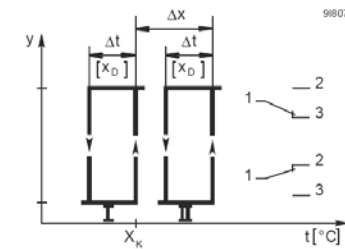
Setpoint  $X_k$   
– 5 ... 50 °C,  
adjustable

## Operating diagrams

### TRG2



### TRG22



## Mechanical design

The housing and cover of the room thermostats TRG2... are made of plastic. The removable cover is fixed with two screws.

The mounting base (A) can be removed, see the figure under 'Dimensions'.

## Mounting notes

Mounting instructions are enclosed with the thermostats M1329.

The sensor should be mounted at a height of approximately 1.5 m above floor level and at least 0.5 m from the corner of the room. Do not install the sensor in a position where it will be exposed to direct sunlight. Avoid locations where there may be undue influence from heat or moisture, such as near doors, windows, chimneys etc., and locations with inadequate air circulation (in recesses, behind furniture or curtains etc.).

## Disposal



The devices are considered electronics devices for disposal in terms of European Directive 2012/19/EU and may not be disposed of as domestic waste.

- Dispose of the device via the channels provided for this purpose.
- Comply with all local and currently applicable laws and regulations.

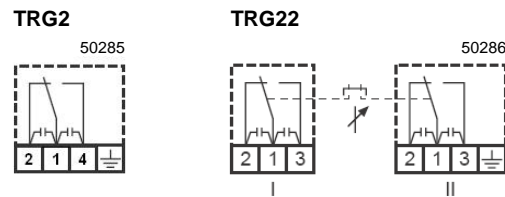
## Technical data

Output per step	Voltage-free
Contact rating	Max. AC 250 V Max. 10 A resistive Max. 2 A inductive, $\cos \varphi > 0.2$
External protection	Fuse slow max. 10 A or Circuit breaker max. 13 A Characteristic B, C, D according to EN 60898
Setpoint Xk	- 5 ... 50 °C, adjustable
Switching differential $\Delta t$ :	TRG2 0.7 ... 6 K, adjustable TRG22 2 K, fixed for both steps
Switching interval $\Delta x$	TRG22 adjustable 2 ... 12 K between the 2 steps
Mounting position	upright
Dimensions	see figures under 'Dimensions'
Cable entry	TRG2 M16 x 1.5 - SW17 TRG22 PG13.5
Protection class	I according to EN 60730-1
Protection degree of housing	IP54 according to EN 60529
Ambient temperature	- 30...+70 °C max.
Weight (incl. packaging)	TRG2 0.42 kg TRG22 0.55 kg
Product standard	EN 60730-1
EU Conformity (CE)	CA1T1329xx *)

\*) The documents can be downloaded from <http://siemens.com/bt/download>.

## Connection terminals

Contact position 'Cold'

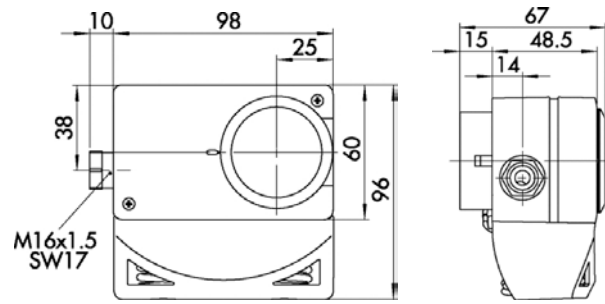


**Caution :**  
**Observe the technical data for the switching contacts :**  
**AC 250 V / 10(2) A**

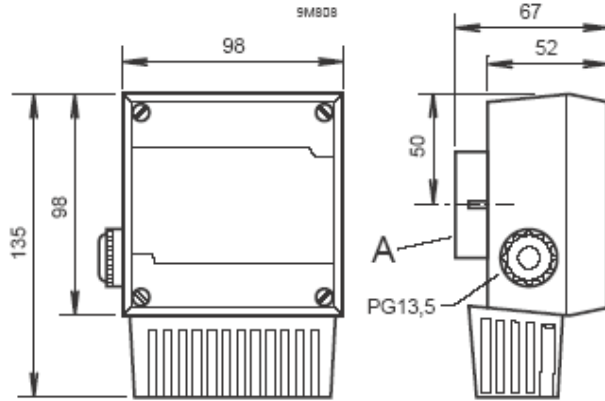
# Dimensions

All dimensions in mm

## TRG2



## TRG22



## Drilling diagram for base A (TRG2 and TRG22)

