

## Connected Home Presence Sensor SCH010ZB

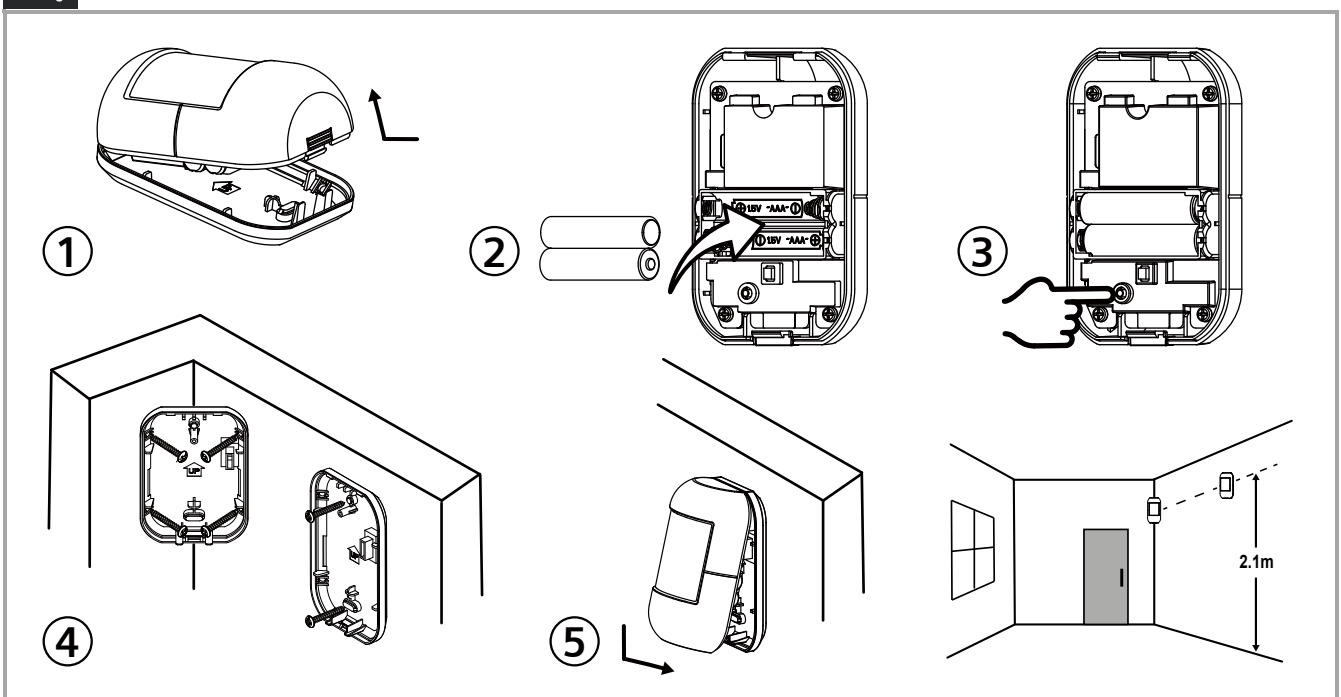
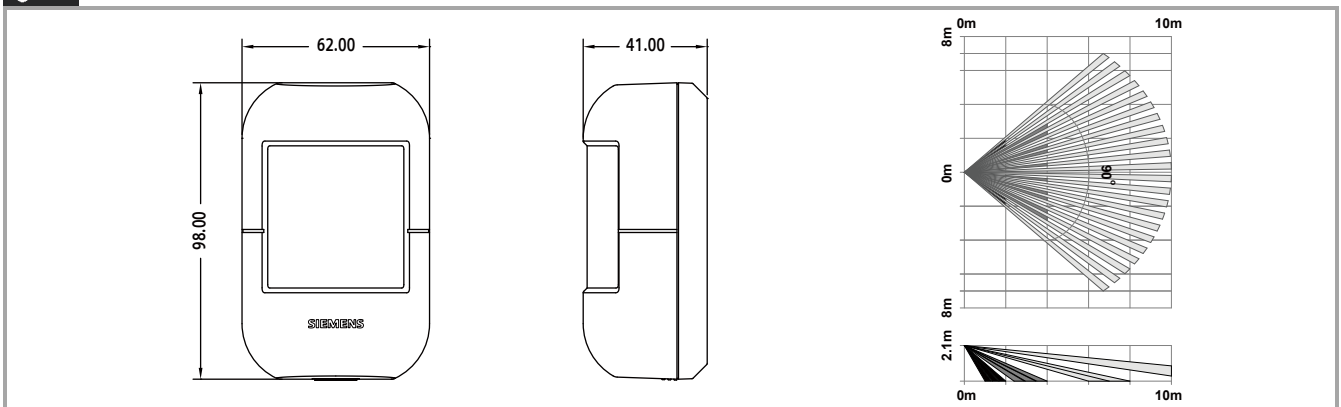


All product documentation



en	Installation instructions
cs	Návod k instalaci
el	Οδηγίες εγκατάστασης
fi	Asennusohjeet
hu	Telepítési utasítások
nl	Installatie-instructies
pt	Instruções de instalação
ru	Инструкции по установке
sv	Installationsanvisningar
zh-CN	安装指南

de	Montageanleitung
da	Installationsanvisninger
es	Instrucciones de instalación
fr	Instructions d'installation
it	Istruzioni per l'installazione
pl	Instrukcja montażu
ro	Instrucțiuni de instalare
sk	Návod na inštaláciu
tr	Kurulum talimatları
zh-TW	安裝指南



Issued by  
Siemens Switzerland Ltd  
Smart Infrastructure  
Global Headquarters  
Theilerstrasse 1a  
CH -6300 Zug  
Tel. +41 58 724 2424  
[www.siemens.com/buildingtechnologies](http://www.siemens.com/buildingtechnologies)

© Siemens Switzerland Ltd, 2023  
subject to change without notice.

Siemens Switzerland Ltd. declares that the radio equipment type SCH010ZB is in compliance with Directive 2014/53/EU. The full text of the EU declaration of conformity is available at <http://www.siemens.com/download?A6V13959851>.