

ACVATIX™

Rotary actuators for ball valves

GLB..9E..




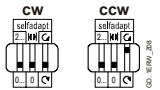
Electromotoric rotary actuators for open-close, three-position or modulating control. Used in heating, ventilation and air conditioning plants.

- For 2-port and 3-port control ball valves, internally threaded connections (VAI61.. and VBI61..) or externally threaded connections (VAG61.. and VBG61..), DN15 to DN50
- For open/close ball valves 2-port and changeover ball valves 3-port, internally threaded connections (VAI60.. and VBI60..) or externally threaded connections (VAG60.. and VBG60..), DN15 to DN50
- Nominal torque 10 Nm
- Operating voltage GLB141.9E and GLB161.9E AC 24 V ~ / DC 24...48 V =
- Operating voltage GLB341.9E AC 100...240 V ~
- Operating voltage GLB161.9E/MO AC 24 V ~ / DC 24 V =
- GLB161.9E/MO: RS-485 for Modbus RTU communication
- Pre-wired with 0.9 m long connection cables

Features

- Brushless, robust DC motors ensure reliable operation regardless of load.
- The rotary actuators do not require an end position switch, are overload proof, and remain in place upon reaching the end stop.
- The gears are maintenance free and low noise.
- Suitable for use with modulating controllers (DC 0/2...10 V), open-close or three-position controllers.
- We recommend a minimum pulse length of 500 ms on rotary actuators operated with 3-point control to ensure continuous and accurate operation.

Functions

	AC 24 V ~ / DC 24...48 V =	141.9E	161.9E	—
GLB..	AC 24 V ~ / DC 24 V =	—	—	161.9E/MO
	AC 100...240 V ~	341.9E	—	—
Control type		Open-close / three-position	Modulating control (0/2...10 V)	Modbus RTU
Rotary direction		<p>Clockwise or counter-clockwise direction depends ...</p> <p>... on the type of control</p> <p>... on the setting of the rotary direction DIL switch.</p>  <p>With no power applied, the actuator remains in the respective position.</p>	<p>... on the setting of the rotary direction DIL switch</p>  <p>... on the positioning signal.</p> <p>The actuator remains in the achieved position:</p> <p>... if the control signal is maintained at a constant value</p> <p>... for loss of operating voltage.</p>	—
		NC (normally closed) ball valve	NC (normally closed) ball valve	—
		<p>Signal on Y1</p> <p>– rotation counter-clockwise</p> <p>– ball valve opens</p> <p>Signal on Y2</p> <p>– rotation clockwise</p> <p>– ball valve closes</p>	<p>DIL 2 set to “counter-clockwise” (ccw)</p> <p>Flow = 0% at Y = 0 V</p> <p>Flow = 100% at Y = 10 V</p>	—
		NO (normally open) ball valve	NO (normally open) ball valve	—
		<p>Signal an Y2</p> <p>– rotation clockwise</p> <p>– ball valve closes</p> <p>Signal on Y1</p> <p>– rotation counter-clockwise</p> <p>– ball valve opens</p>	<p>DIL 2 set to “clockwise” (cw)</p> <p>Flow = 100% at Y = 0 V</p> <p>Flow = 0% at Y = 10 V</p>	—

GLB..	AC 24 V ~ / DC 24...48 V =	141.9E	161.9E	—
	AC 24 V ~ / DC 24 V =	—	—	161.9E/MO
	AC 100...240 V ~	341.9E	—	—
Position indication: Mechanical	Rotary angle position indication by a position indicator/hand lever.			
Position indication: Electrical		Output voltage U = DC 0/2...10 V is generated proportional to the rotary angle. U depends on the rotary direction of the DIL switch setting.		
Self-adaptation of rotary angle span		When self-adaption is active, the actuator automatically detects mechanical end of the rotary angle range.		
Manual adjustment	The rotary actuator can be manually adjusted by pressing the gear train disengagement button.			
Rotary angle limitation	The rotary angle of the shaft adapter can be limited mechanically with a set screw.			
Modbus RTU (RS-485), not galvanically isolated				Setpoint 0...100 % valve position Actual value 0...100 % for valve position Override control Open / Close / Min / Max / Stop Setpoint monitoring and backup mode

Technical design/mechanical design

Housing

The housing consists essentially of flame retardant, non brominated, non chlorinated glass fibre reinforced plastic.

Type summary

Type	Stock no.	Control	Operating voltage	Position indicator U = DC 0...10 V =	Self-adaption of rotational angle range	Aux. switches	Rotary direction switch
GLB141.9E	S55499-D204	Open-close or three-position	AC 24 V ~ / DC 24...48 V =	—	—	—	yes
GLB341.9E	S55499-D205		AC 100...240 V ~				
GLB161.9E	S55499-D277	Modulating DC 0/2...10 V =	AC 24 V ~ / DC 24...48 V =	yes	yes	—	
GLB161.9E/MO	S55499-D681	Modbus RTU	AC 24 V ~ / DC 24 V =				

Accessories / Spare parts

Spare parts

Individual spare parts are not available. Components of the accessory kit ASK77.3¹⁾, available as an accessory, can however be used for spare parts.

Description	Components
ASK77.3 Accessory Kit BV for GxBxx1.9E	Mounting bracket (base plate) Axle with sleeve and spring Manual lever with locking clip

¹⁾ Can also be used as rotary actuator for ball valves together with the actuator for air dampers G..B.1E.

Accessories

Type	Stock no.	Description
ALJ100	S55846-Z115	Temperature adapter for ball valves

Equipment combinations

GLB..9E.. and VA..61.. 2-port control ball valves

Control ball valves with:						GLB..9E..		
internal threads ¹⁾	Rp	external threads ²⁾	G..B	k _{vs} [m ³ /h]	DN	Δp _{max}	Δp _s	
–	–	VAG61.15..	G 1 B	1...6.3	15	350	1400	
VAI61.15..	Rp ½"	–	–	0.25...10	15			
VAI61.20..	Rp ¾"	VAG61.20..	G 1 ¼ B	4...10	20			
VAI61.25..	Rp 1"	VAG61.25..	G 1 ½ B	6.3...16	25			
VAI61.32..	Rp 1¼"	VAG61.32..	G 2 B	10...25	32			1000
VAI61.40..	Rp 1½"	VAG61.40..	G 2 ¼ B	16...40	40			800
VAI61.50..	Rp 2"	VAG61.50..	G 2 ¾ B	25...63	50			600

GLB.. 9E.. and VB..61.. 3-port control ball valves

Control ball valves with:						GLB..9E..	
internal threads ¹⁾	Rp	external threads ²⁾	G..B	k _{vs} [m ³ /h]	DN	Δp _{max}	Δp _s
VBI61.15..	Rp ½"	VBG61.15..	G 1 B	1.6...6.3	15	350	–
VBI61.20..	Rp ¾"	VBG61.20..	G 1 ¼ B	4...6.3	20		
VBI61.25-10	Rp 1"	VBG61.25-10	G 1 ½ B	10	25		
VBI61.32-16	Rp 1¼"	VBG61.32-16	G 2 B	16	32		
VBI61.40-25	Rp 1½"	VBG61.40-25	G 2 ¼ B	25	40		
–	–	VBG61.50-40	G 2 ¾ B	40	50		
VBI61.50..	Rp 2"	–	–	40...63	50		

¹⁾ Data sheet N4211

²⁾ Data sheet N4212

GLB.. 9E.. and VA..60.. open/close ball valves 2-port and VB..60.. changeover ball valves 3-port

Ball valves with: internal threads ³⁾	Rp	external threads ⁴⁾	G..B	k _{vs} [m ³ /h]	DN	GLB..9E..		
						Δp _{max}	Δp _s	
–	–	VAG60.15-9	G 1 B	9	15	350	1400	
VAI60.15-15	Rp ½"	–	–	15	15			
–	–	VAG60.20-17	G 1 ¼ B	17	20			
VAI60.20-22	Rp 1"	–	–	22	20			
VAI60.25-22	Rp 1"	VAG60.25-22	G 1 ½ B	22	25			
VAI60.32-35	Rp 1¼"	VAG60.32-35	G 2 B	35	32			1000
VAI60.40-68	Rp 1½"	VAG60.40-68	G 2 ¼ B	68	40			800
VAI60.50-96	Rp 2"	VAG60.50-96	G 2 ¾ B	96	50			600
VBI60.15-5L	Rp ½"	VBG60.15-5L	G 1 B	5	15	350	–	
–	–	VBG60.20-8L	G 1 ¼ B	8	20			
VBI60.20-9L	Rp 1"	–	–	9	20			
VBI60.25-9L	Rp 1"	VBG60.25-9L	G 1 ½ B	9	25			
VBI60.32-13L	Rp 1¼"	VBG60.32-13L	G 2 B	13	32			
VBI60.40-25L	Rp 1½"	VBG60.40-25L	G 2 ¼ B	25	40			
VBI60.50-37L	Rp 2"	VBG60.50-37L	G 2 ¾ B	37	50			
–	–	VBG60.15-8T	G 1 B	8	15			350
VBI60.15-12T	Rp ½"	–	–	12	15			
–	–	VBG60.20-13T	G 1 ¼ B	13	20			
VBI60.20-16T	Rp 1"	–	–	16	20			
–	–	VBG60.25-13T	G 1 ½ B	13	25			
VBI60.25-16T	Rp 1"	–	–	16	25			
VBI60.32-25T	Rp 1¼"	VBG60.32-25T	G 2 B	25	32			
VBI60.40-49T	Rp 1½"	VBG60.40-49T	G 2 ¼ B	49	40			
VBI60.50-73T	Rp 2"	VBG60.50-73T	G 2 ¾ B	73	50			

³⁾ Data sheet N4213

⁴⁾ Data sheet N4214


Product documentation

Topic	Title	Document ID
Data sheet	Rotary actuators for ball valves	A6V10636203_en--_a
Technical basics	Rotary damper actuators without spring return GL..E	A6V10636196
Mounting instructions	GLB..9E..	A6V10636201
Mounting instructions	VAI61.. / VBI61..	M4211
Mounting instructions	VAG61.. / VBG61..	M4212
Mounting instructions	VAI60.. / VBI60..L / VBI60..T	M4213
Mounting instructions	VAG60.. / VBG60..L / VBG60..T	M4214

Related documents such as environmental declarations, CE declarations, etc., can be downloaded at the following Internet address:

<http://siemens.com/bt/download>

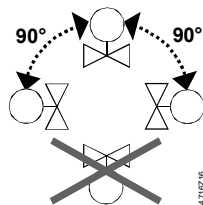
Safety

	<p>⚠ Caution</p>
	<p>National safety regulations Failure to comply with national safety regulations may result in personal injury and property damage.</p> <ul style="list-style-type: none"> • Observe national provisions and comply with the appropriate safety regulations. • Use only properly trained technicians for mounting, commissioning, and servicing.


Mounting

Both ball valve and rotary actuator can easily be assembled at the mounting location. Neither special tools nor adjustments are required.

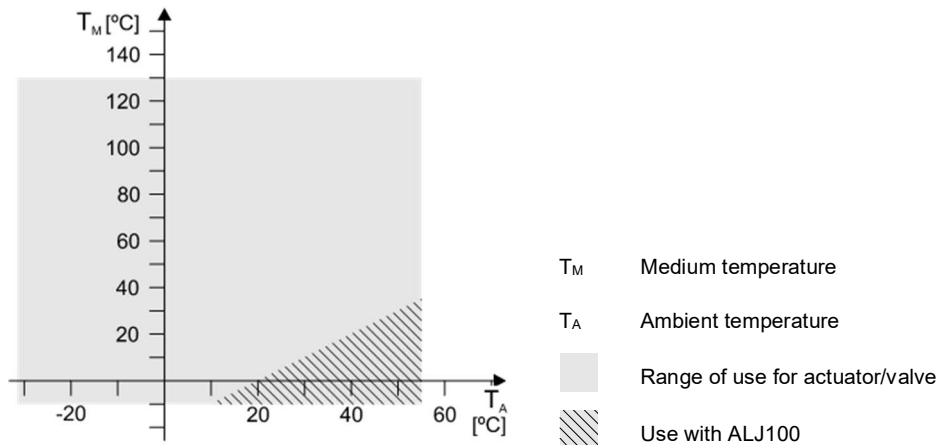
Orientation



Installation

	<p>⚠ WARNING</p>
	<p>No internal line protection for supply lines to external consumers Risk of fire and injury due to short-circuits</p> <ul style="list-style-type: none"> • Adapt the line diameters as per local regulations to the rated value of the installed fuse.

If condensation occurs at the mounting site, the use of the temperature adapter ALJ100 is recommended in order to protect the actuator. If the medium temperature is $\leq 0\text{ }^{\circ}\text{C}$, the adapter shaft must be greased with silicon grease.



GLB161.9E/MO

The Modbus converter is designed for analog control at 0...10 V.

Commissioning

When commissioning the system, check wiring and the functions of the rotary actuator.

Manual adjustment

The rotary actuator can be manually adjusted into any position between 0° and 90° by pushing the gear train disengagement slider.

If a control signal from the controller is present, this will take priority in determining the position after the slider is released.

For manual adjustment: Power off!

Maintenance

The actuators GLB..9E.. are maintenance-free.

Disposal

	<p>The device is considered electrical and electronic equipment for disposal in terms of the applicable European Directive and may not be disposed of as domestic garbage.</p> <ul style="list-style-type: none"> • Dispose of the device through channels provided for this purpose. • Comply with all local and currently applicable laws and regulations.
--	--

Technical data

Power supply (GLB1..9E..)		
Operating voltage (SELV/PELV) / Frequency	GLB141.9E GLB161.9E	AC 24 V ~ ±20 % (19,2...28,8 V ~) / 50/60 Hz DC 24...48 V = ±20 % (19,2...57,6 V =) ¹⁾
	GLB161.9E/MO	AC 24 V ~ ±20 % (19,2...28,8 V ~) / 50/60 Hz DC 24 V = ±20 % (19,2...28,8 V =)
Power consumption running	GLB141.9E GLB161.9E GLB161.9E/MO	2.2 VA / 1.3 W 2.5 VA / 1.5 W 3.0 VA / 2.0 W
Power consumption holding	GLB141.9E GLB161.9E GLB161.9E/MO	0.5 W 0.7 W 1.2 W

Power supply (GLB341.9E)	
Operating voltage / Frequency	AC 100...240 V ~ ±10 %; 50 / 60 Hz
Power consumption running Power consumption holding	6 VA / 2 W 0.9W

Function data	
Nominal torque	10 Nm
Maximum torque (blocked)	16 Nm
Minimum holding torque	10 Nm
Nominal rotary angle (with position indication)	90°
Maximum rotary angle (mechanic limitation)	95° ± 2°
Runtime for 90° rotary angle	150 s
Actuator sound power level	28 dB(A)

Inputs		
Positioning signal for GLB141.9E		
Operating voltage	(wires 1-6/G-Y1)	clockwise
AC 24 V ~ / DC 24...48 V =	(wires 1-7/G-Y2)	counterclockwise
Positioning signal for GLB341.9E		
Operating voltage	(wires 4-6/N-Y1)	clockwise
AC 100...240 V ~	(wires 4-7/N-Y2)	counterclockwise
Positioning signal for GLB161.9E..		
Input voltage	(wires 8-2/Y-G0)	DC 0/2...10 V =
Current consumption		0.1 mA
Input resistance		>100 kΩ
Max. permissible input voltage		DC 35 V = limited to DC 10 V =
Protected against faulty wiring		max. AC 24 V ~
Hysteresis		60 mV

Communication GLB161.9E/MO		
Communication protocol		
Modbus RTU		RS-485, not galvanically isolated
Number of nodes		Max. 32
Address range		1...248 / 255
	Factory setting	255
Transmission formats		1-8-E-1 / 1-8-O-1 / 1-8-N-1 / 1-8-N-2
	Factory setting	1-8-E-1
Baud rates (kbaud)		Auto / 9.6 / 19.2 / 38.4 / 57.6 / 76.8 / 115.2
	Factory setting	Auto
Bus termination		120 Ω electronically switchable
	Factory setting	Off

Outputs	
Position indicator (GLB161.9E..) Output signal (wires 9-2/U-G0) Output voltage U Max. output current Protected against faulty wiring	DC 0...10 V = DC ±1 mA max. AC 24 V ~ / DC 24...48 V =

Connection cables	
Cable length	0.9 m
Cross section of prewired connection cables	0.75 mm ²
Permissible length for signal lines	300 m

Degree of protection	
Insulation class AC 24 V ~ / DC 24...48 V = AC 100...240 V ~	As per EN 60730 III II
Housing protection	IP 54 as per EN 60529

Environmental conditions	
Operation Climatic conditions Mounting location Temperature extended Humidity (non-condensing)	IEC 60721-3-3 Class 3K5 interior, weather-protected -32...+55 °C <95 % r.F.
Transport Climatic conditions Temperature extended Humidity (non-condensing)	IEC 60721-3-2 Class 3K5 / Class 2K3 -32...+70 °C <95 % r.F.
Storage Climatic conditions Temperature extended Humidity (non-condensing)	IEC 60721-3-1 Class 1K3 -32...+50 °C <95 % r.F.
Mechanical conditions	Class 2M2

Standards, directives and approvals	
Product standard	EN60730 Part 2-14 / Particular requirements for electric actuators
Electromagnetic compatibility (Applications)	For use in residential, commercial, light-industrial and industrial environments
EU Conformity (CE)	A5W00000176 ²⁾
RCM Conformity	A5W00000177 ²⁾
EAC Conformity	Eurasian conformity
UL	UL as per UL 60730 http://ul.com/database cUL as per CSA-C22.2 No. 24-93

Environmental compatibility

The product environmental declaration A5W00026068²⁾ contains data on environmentally compatible product design and assessments (RoHS compliance, materials composition, packaging, environmental benefit, disposal).

Dimensions	
Actuator W x H x D	see „Dimensions“, p. 12

Weight	
Without packaging	0.69 kg
External Modbus converter	0.15 kg

¹⁾ C-UL: Permitted only to DC 30 V =

²⁾ The documents can be downloaded from <http://siemens.com/bt/download>.

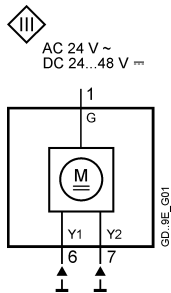
Diagrams

Internal Diagrams

GLB141.9E (open-close, three-p.)

GLB141.9E

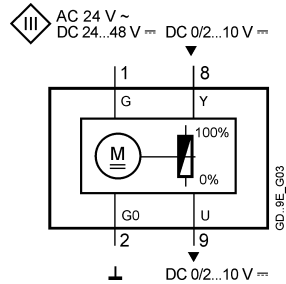
AC 24 V ~ / DC 24...48 V –



GLB161.9E.. (modulating)

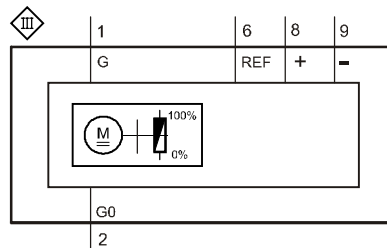
GLB161.9E

AC 24 V ~ / DC 24...48 V –



GLB161.9E/MO

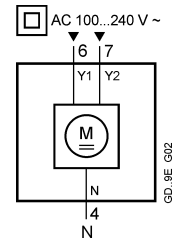
AC 24 V ~ / DC 24 V –



GLB341.9E (open-close, three-p.)

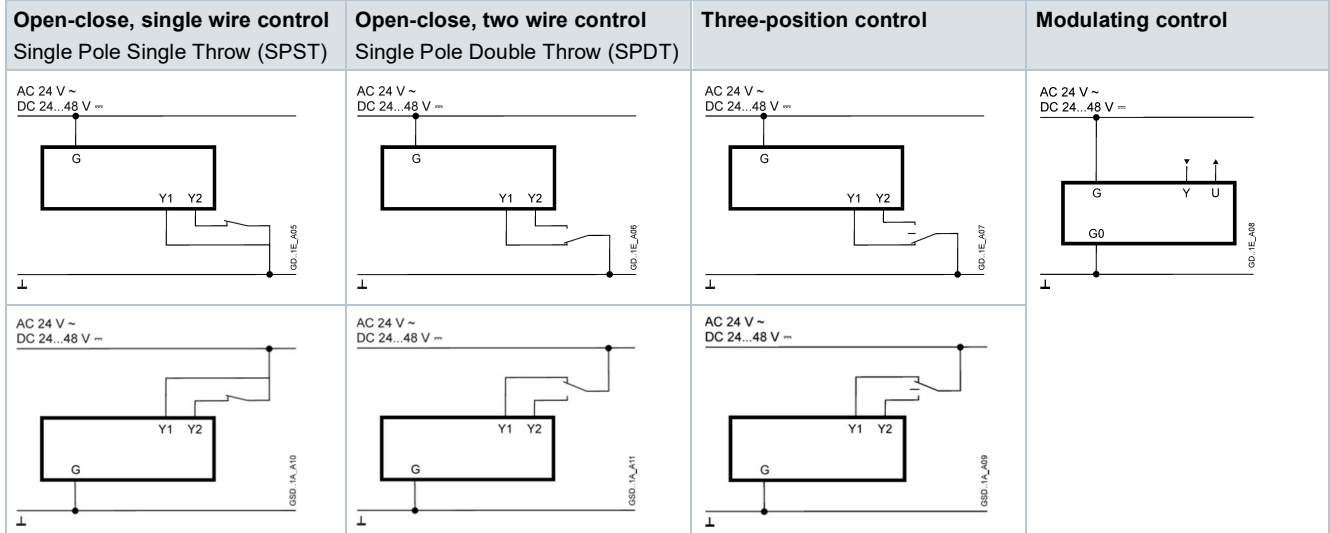
GLB341.9E

AC 100...240 V ~

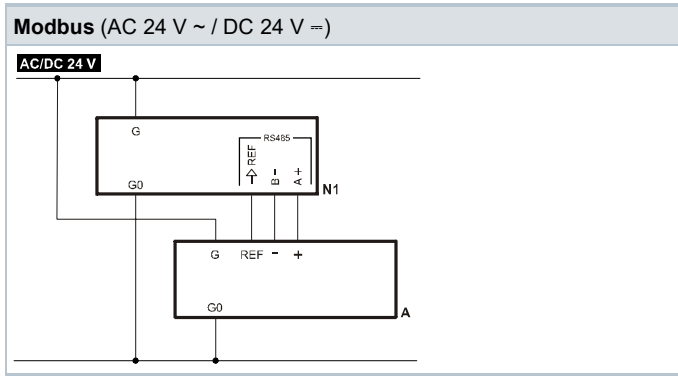


Connection diagrams

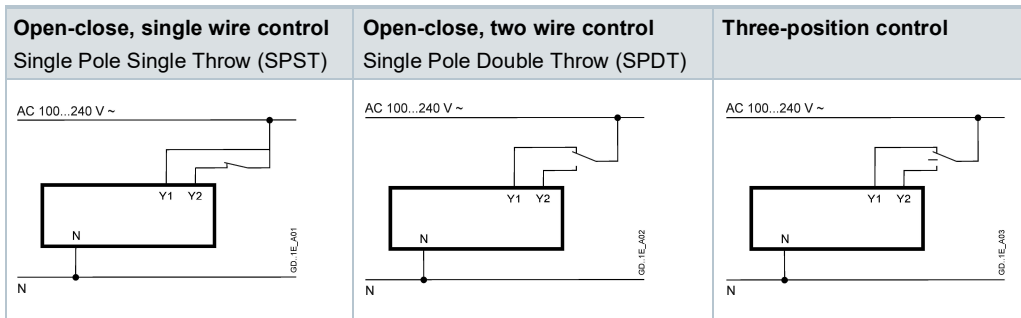
GLB1..9E.. (AC 24 V ~ / DC 24...48 V –)



GLB161.9E/MO (AC 24 V ~ / DC 24 V =)



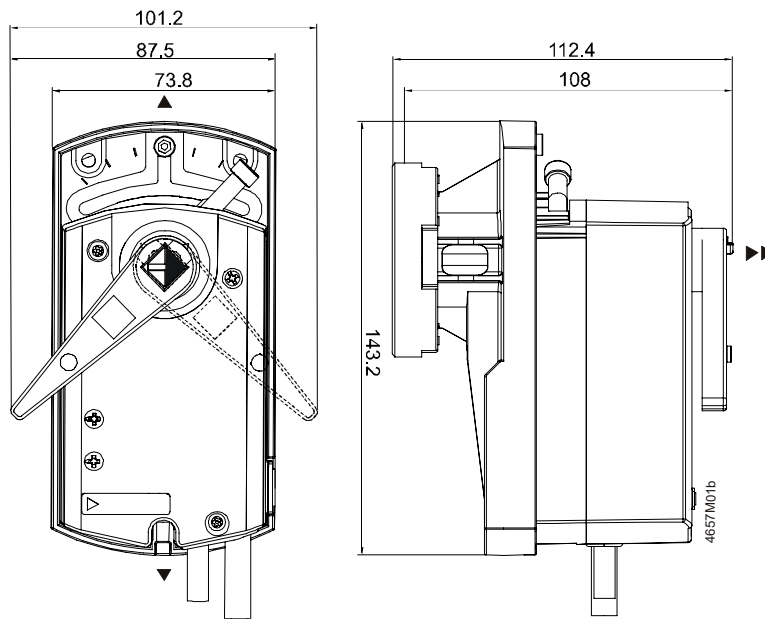
GLB341.9E (AC 100...240 V ~)



Cable labeling

Pin	Code	No	Color	Abbreviation	Meaning
Actuators AC 24 V ~ DC 24...48 V =	G	1	red	RD	System potential AC 24 V ~ / DC 24...48 V =
	G0	2	black	BK	System neutral
	Y1	6	purple	VT	Positioning signal AC/DC 0 V, "clockwise" (GLB141.9E)
	Y2	7	orange	OG	Positioning signal AC/DC 0 V, "counter-clockwise" (GLB141.9E)
	Y	8	grey	GY	Signal in (GLB161.9E)
	U	9	pink	PK	Signal out (GLB161.9E)
Actuators AC 100...240 V ~	N	4	blue	BU	Neutral conductor
	Y1	6	black	BK	Positioning signal AC 100...240 V ~, "clockwise" (GLB341.9E)
	Y2	7	white	WH	Positioning signal AC 100...240 V ~, "counter-clockwise" (GLB341.9E)
Modbus AC 24 V ~ DC 24 V =	REF	6	purple	VT	Reference (Modbus RTU)
	+	8	gray	GY	Bus + (Modbus RTU)
	-	9	pink	PK	Bus - (Modbus RTU)

Actuator

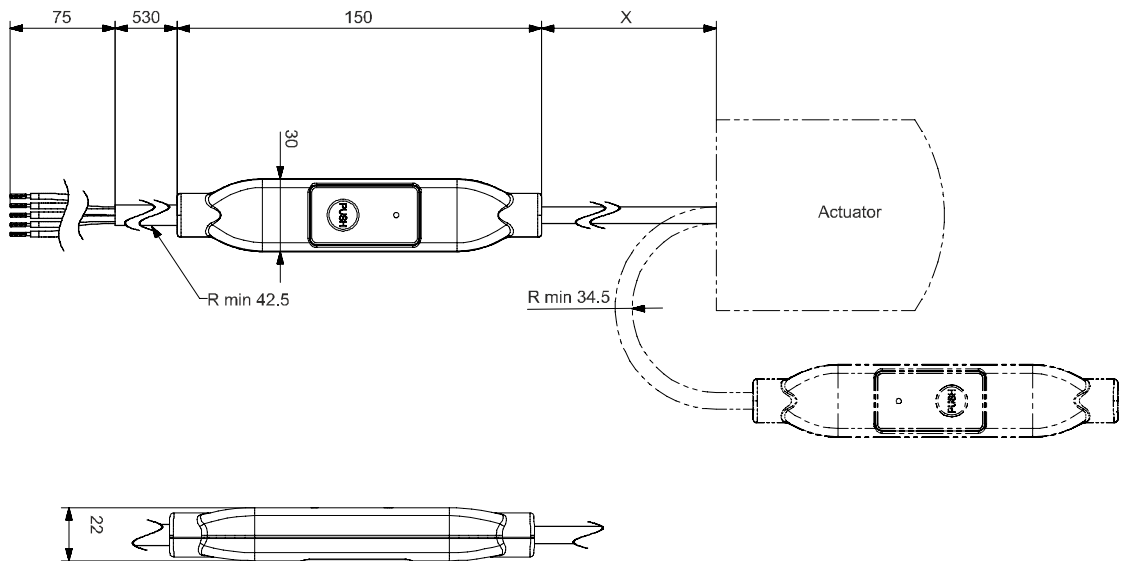


Dimensions in mm

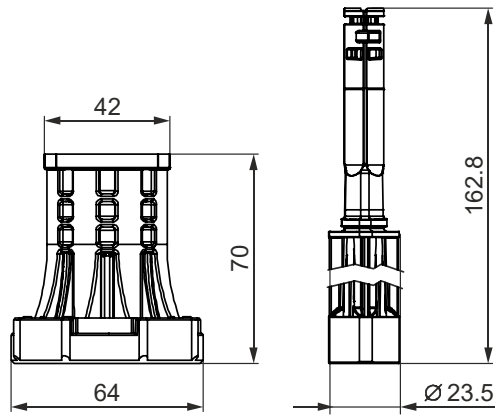
- ▶ = > 100 mm
- ▶▶ = > 200 mm

Minimum clearance from ceiling or wall for mounting, connection, operation, maintenance etc.

External Modbus converter



Temperature adapter (optional)



Revision numbers

Type	Valid from rev. no.
GLB141.9E	..B
GLB341.9E	..B
GLB161.9E	..B
GLB161.9E/MO	..K

Issued by
Siemens Switzerland Ltd
Smart Infrastructure
Global Headquarters
Theilerstrasse 1a
6300 Zug
Switzerland
Tel. +41 58-724 24 24
www.siemens.com/buildingtechnologies

© Siemens Switzerland Ltd, 2021
Technical specifications and availability subject to change without notice.

Document ID A6V10636203_en--_f
Issue 2021-11-08