

ACVATIX™

## Intelligent Valve - Control valve with integrated energy measurement

EVG.., EVF..



**Intelligent Valve – control valve with integrated energy data acquisition for ventilation and air conditioning plants as well as precontrol circuits in HVAC applications. Sensor-guided dynamic flow control.**

- Threaded valves EVG4U10E..:
  - DN15...50
  - Nominal volume flow 1.5...18 m<sup>3</sup>/h
  - Externally threaded connection per ISO-228
- Flanged valves EVF4U20E.. and DN150 solution:
  - DN65...150
  - Nominal volume flow 30...170 m<sup>3</sup>/h
  - Flange connection per ISO 7005
- System integration in building control technology over BACnet IP
- System integration in building automation and control over Modbus RTU
- Supports the direct transfer to Siemens Building Operator
- Ultrasonic volume flow measurement at measuring accuracy  $\pm 2\%$  for water and  $\pm 6\%$  for water-ethylene glycol mixtures
- Temperature measurement with paired immersion temperature sensors

The Intelligent Valve is a 2-port pressure-independent control valve (PICV) with volume flow, temperature and power measurement for heating, ventilation, and air conditioning plants.

The valve can be integrated as analog (DC 0/2...10 V or 4...20 mA) or digital (BACnet IP / Modbus RTU) into the temperature control circuit. All process data (volume flow, power, primary flow and return temperature, etc.) can still be read out digitally even if integrated as analog.

The Intelligent Valve also has local limitation and optimization functions that support energy-efficient plant operation.

In addition to digital integration in the building automation and control system, integration in the cloud with the Siemens Building Operator app supports the building operator to operate and monitor the system as well as evaluate energy consumption.

The Intelligent Valve has 5 control functions:

- Dynamic control valve
- Dynamic control valve (changeover)
- Differential pressure controller
- Flow temperature controller
- Outside temperature-dependent flow temperature controller

Volume flow limitation and energy acquisition are available at any time in all 5 control functions.

#### Intelligent Valve as **dynamic control valve**

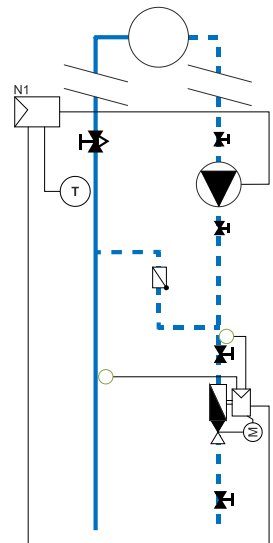
In this control function, the Intelligent Valve is part of a temperature control circuit and receives a setpoint from a superposed automation station that it interprets, depending on the control mode, as valve position, volume flow, or output and controls accordingly.

The example to the right depicts this based on a precontrol circuit for chilled ceilings.

Automation station [N1] controls the flow temperature of the chilled ceiling circuit by demand and specifies the setpoint of 0...100 % on the Intelligent Valve. This can occur in analog (0...100 % = DC 0...10 V) form or else remotely over BACnet IP or Modbus RTU.

The Intelligent Valve follows this setpoint and sets, e.g. in volume flow control mode, the appropriate volume flow.

The DN150 solution is only supported in the function as dynamic control valve. Water (non-ethylene glycol mixtures) is used as the measured medium.



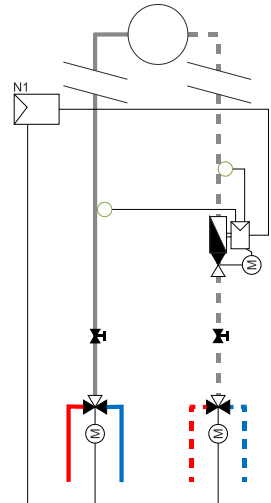
### Intelligent Valve as **dynamic control valve (changeover)**

In this control function, the Intelligent Valve acts as a dynamic control valve using 2 sets of parameters for the limitation functions, such as the volume flow maximum or the  $\Delta T$ -limitation: one set for heating operation, and one set for cooling operation. The mode of operation (heating or cooling) is recognized automatically via the measured flow and return temperatures.

The example to the right depicts this based on a throttling circuit for a combined heating/cooling register.

Automation station [N1] switches between heating and cooling mode as needed, and specifies the setpoint of 0...100 % on the Intelligent Valve.

The Intelligent Valve follows this setpoint and sets the appropriate volume flow.

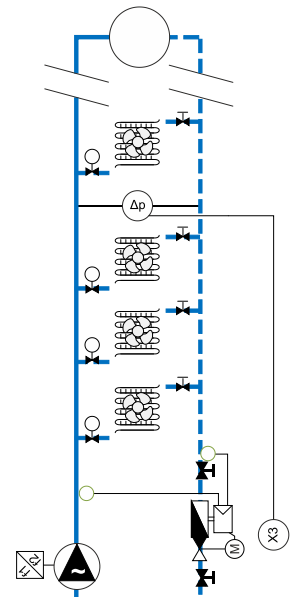


### Intelligent Valve as **differential pressure controller**

The Intelligent Valve can act as a differential pressure controller for a section of the plant.

In this control function, the Intelligent Valve controls independently of an automation station. Using an auxiliary differential pressure sensor [X3], it acquires the present differential pressure in the plant section and adjusts the valve position resulting in a constant differential pressure.

In this control function, the Intelligent Valve does not receive an external setpoint, but rather controls to a fixed local setpoint that the user sets with ABT Go.



### Intelligent Valve as **flow temperature controller without outside air temperature sensor**

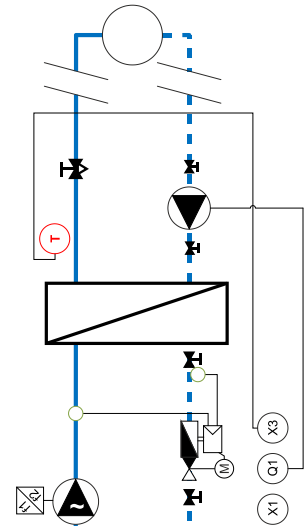
In this control function, the Intelligent Valve assumes the role of the automation station.

Using an auxiliary secondary flow temperature sensor [X3], it acquires the flow temperature and controls to the present temperature setpoint by adjusting the volume flow.

Possible sensor types at [X3] are passive sensors with sensing elements LG-Ni-1000, DIN-Ni-1000 or Pt1000 (385/EU).

The temperature setpoint can be preset externally via BACnet IP and Modbus RTU or analog at [X1] ( $0...10\text{ V} = 0...100\text{ °C}$ ).

The secondary pump is released by relays [Q1] as soon as the setpoint for secondary flow temperature is  $> 0\text{ °C}$ .



### Intelligent Valve as **outside temperature-dependent flow temperature controller**

The Intelligent Valve can control the valve in a heating group to a flow temperature based on the outside temperature. In this control function, the Intelligent Valve assumes the role of the automation station.

In outside temperature-dependent control, the flow temperature [X3] is assigned to the prevailing outside air temperature [X1] via the heating curve.

Possible sensor types at [X3] are passive sensors with sensing elements LG-Ni-1000, DIN-Ni-1000 or Pt1000 (385/EU), or active sensors ( $0...10\text{ V} = -50...50\text{ °C}$ ).

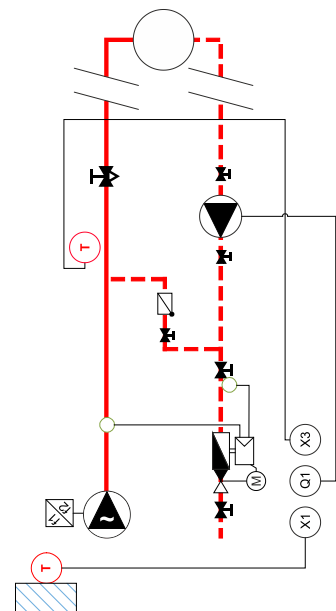
The secondary flow temperature sensor [X3] acquires the present flow temperature and the Intelligent Valve controls it to the determined flow temperature setpoint by adjusting the volume flow.

Possible sensor types at [X3] are passive sensors with sensing elements LG-Ni-1000, DIN-Ni-1000 or Pt1000 (385/EU).

In addition to the heating curve, a weekly time switch can also preset the room operating mode (Comfort, Pre-Comfort, Economy, Protection).

The heating curve and the weekly scheduler are set in ABT Go.

The heating circuit pump can be released or locked with relay [Q1].



Not every type of digital integration is available in every control function. Based on control function, the following options are available:

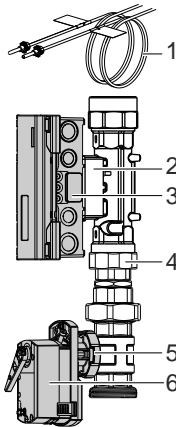
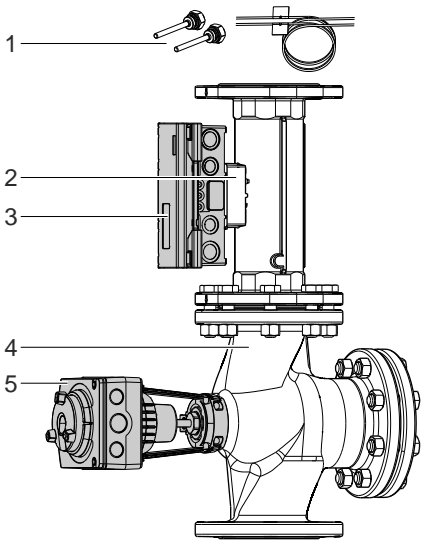
	Dyn. control valve / Dyn. control valve (changeover)	Differential pressure controller	Flow temperature controller	Outside temp. dependent heating circuit
BACnet IP	Selectable			
Modbus RTU	Selectable	-	Selectable	-
Cloud	Selectable			

## Technical design

### Basic design

The Intelligent Valve combines four main functions:

- Exact, continuous volume flow measurement with an ultrasonic flow sensor
- Precise temperature measurement using paired Pt1000 temperature sensors
- Precise volume control using a control valve with a high-resolution actuator
- Dynamic hydronic balancing, power and energy calculations, storage of cumulated flow and energy data as well as network integration via a central control unit

EVG4U10E..		EVF4U20E..	
	1	Temperature sensor pair (>DN50 with protective pockets)	1
	2	Ultrasonic flow sensor	2
	3	Intelligent Valve controller – Sensor interface – Dynamic volume flow control – Power and energy measurement – Heat exchanger optimized – Storage of cumulated flow and energy data – Network integration	3
	4	Flow sensor/valve interface	-
	5	Flow control valve	4
		Ball valve	Globe valve
6	High-resolution actuator	5	

Volume flow is acquired continuously in the ultrasonic flow sensor and provided to the Intelligent Valve controller, where the controller applies it as the actual value for control or limitation by guiding the control valve position until the volume flow actual value for the applicable setpoint is achieved.

## Control modes as dynamic control valve

The Intelligent Valve supports 3 control modes in this control function:

- Volume flow control
- Position control
- Power control

Volume flow limitation is active on all control modes!

### Volume flow control

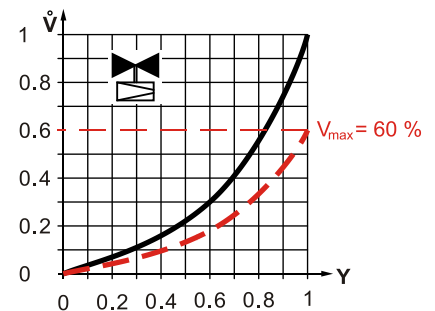
In the basic configuration, the Intelligent Valve operates as an electronic PICV (*pressure-independent control valve*). This control mode is referred to as volume flow control. The positioning signal is proportional to the volume flow to be controlled (setpoint 0 % = closed; setpoint 100 % =  $\dot{V}_{100}$ ). The setpoint range reflects new limit values (setpoint 0 % =  $\dot{V}_{\min}$ , setpoint 100 % =  $\dot{V}_{\max}$ ), if volume flow limitation ( $\dot{V}_{\min}$  and/or  $\dot{V}_{\max}$ ) is activated. In volume flow control, the flow characteristic curve can be adapted to the heat exchanger's transfer behavior.

3 characteristic curves are available:

**Equal percentage**, optimized in the opening range (factory setting)

Recommended for heating and cooling registers, where the transfer characteristic is unknown.

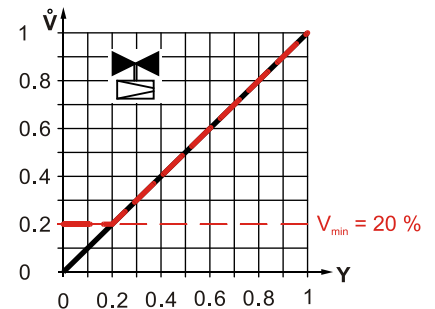
-----: Modified characteristic curve with volume flow maximum limitation at 60 %



**Linear**

Recommended for plate heat exchangers water/water or injection circuits in precontrol circuits.

-----: Cut characteristic at the volume flow minimum limitation

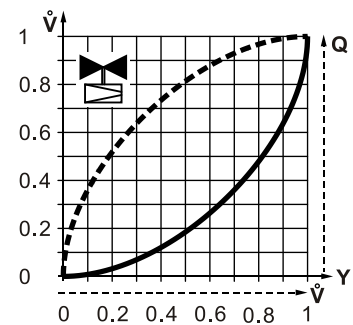


**Heat exchanger optimized**

Recommended for heating and cooling registers, where the transfer characteristic ( $a$ -value) is known.

-----:  $Q = f(\dot{V})$  Heat exchanger characteristic

-----:  $\dot{V} = f(Y)$  Flow characteristic for Intelligent Valve



$\dot{V}$  = Volume flow  $\dot{V} / \dot{V}_{100}$

$Y$  = Positioning signal

$Q$  = Heating output

In the event of volume flow maximum limitation, the curve always adapts to the entered limitation setpoint (example for equal percentage curve).

During volume flow minimum limitation, the characteristic is cut off below the minimum flow (example for a linear characteristic curve).

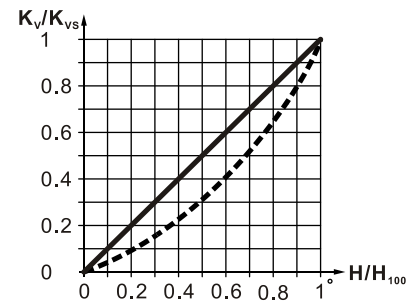
## Position control

The control valve position is proportional to the setpoint (setpoint 0 % = closed; setpoint 100 % =  $H_{100}$ ) – whereby the limitation to the applicable maximum volume flow ( $\dot{V}_{100}$  or  $\dot{V}_{max}$ ) remains active.

Dynamic volume flow control is inactive in position control mode and the  $k_{VS}$  valve characteristic curve is not electronically modified.

The  $k_{VS}$  valve characteristic curve is derived by combining the control valve or control ball valve characteristic and the resistance characteristic of the flow sensor.

This results in an equal percentage  $k_{VS}$  valve characteristic curve with a ngl 2.2 for valves with a threaded connection EVG.. (-----); the  $k_{VS}$  valve characteristic curve for flanged valves EVF.. is nearly linear (\_\_\_\_\_).



## Power control

The design output is the reference variable. It is defined by:

- Design volume flow  $\dot{V}_{max}$
- Design temperatures  $T_{VL, design}$  and  $T_{RL, design}$

Design output =  $c \times$  design volume flow  $\times$  difference of the design temperatures

$$\dot{Q}_{design} \sim \dot{V}_{max} \times (T_{VL, design} - T_{RL, design})$$

whereby  $\dot{Q}_{max}$  is the output limitation in %, relating to the design output of the consumption (heat exchanger/precontrol circuit).

The setpoint for the output for control is interpreted by referencing the output limitation – ( $Y = 0 \dots 100 \% \dot{Q}_{max}$ ; 0 % = closed; 100 % =  $\dot{Q}_{max}$ ),

The "Sizing" section provides a table of the output values for water at typical temperature differences (Sizing as dynamic control valve [ $\rightarrow$  10]).

The volume flow maximum limitation ( $\dot{V}_{100}$  or  $\dot{V}_{max}$ ) also remains active in power control mode. In power control, the dynamic volume flow control is inactive, since any undesired change in volume flow automatically results in a change in output, which is controlled anyway.

The flow characteristic curve is not relevant to power control.

## Operating limits and other features

### Nominal volume flow and minimum required differential pressure

The Intelligent Valve has, as does any dynamic PICV, a nominal flow  $\dot{V}_{100}$  by build design that may not be exceeded during operation. A minimum differential pressure ( $\Delta p_{min}$ ) is required to achieve nominal volume flow; it is calculated from the Intelligent Valve  $k_{VS}$  value. In contrast to mechanical PICVs, the electronic volume flow control on the Intelligent Valve remains active below the minimum differential pressure – so that the network is always optimally balanced.

The Intelligent Valve supports different limitation functions:

- Volume flow maximum limitation
- Volume flow minimum limitation
- Output maximum limitation
- Return temperature min./max. limitation
- $\Delta T$ -limitation – limitation of the difference between the flow and return temperature
- Adapted volume flow maximum limitation

### **Volume flow maximum limitation**

We recommend activating the volume flow maximum limitation if the design volume flow for the partial plant (heating coil/cooler/precontrol circuit) as controlled by the Intelligent Valve, is lower than the nominal flow of the Intelligent Valve. In volume flow control mode, the set volume flow  $\dot{V}_{\max}$  – which can be anywhere between 30...100 % of the nominal volume flow – is interpreted as the 100 % setpoint. It only serves as the limitation value in the other control modes.

### **Volume flow minimum limitation**

The volume flow minimum limitation achieves a minimum flow through the controlled partial plant where this appears to be appropriate. The limitation is of course pressure independent so that there is no over or under-supply as the local differential pressure changes.

### **Output maximum limitation**

In contrast to volume flow limitation, the output limitation adapts dynamically to the temperature distribution in the plant. As a consequence, power control is more suitable for critical users than volume flow limitation.

### **Return temperature min./max. limitation**

Modern, high-efficiency output generators must have sufficient low/high return temperatures to achieve their output numbers/degree of efficiency. With Intelligent Valve, you can precisely limit the return temperature value as needed by the given plant.

A return temperature maximum limitation is available if the Intelligent Valve is used in a heating application; a return temperature minimum limitation is available in a cooling application.

The setting is made in two steps:

1. Enable the function
2. Set the limitation
  - Factory setting for maximum limitation = 40 °C; setting range = 0...100 °C
  - Factory setting for minimum limitation = 10 °C; setting range = 0...100 °C

### **$\Delta T$ -limitation**

In systems where the flow temperature cannot be maintained at a constant level – e.g. due high swings in load or insufficient generation capacity – limiting the difference between the flow and return temperature is an alternative to absolute return temperature limitation.  $\Delta T$ -limitation ensures that the consumer is not supplied with more output than the consumer can process.

The setting is made in two steps:

1. Enable the function
2. Set the limitation
  - Factory setting  $\Delta T$ -limitation = 6 °C; setting range = 0...40 °C



### Adapted volume flow maximum limitation

Enabling the adapted volume flow maximum limitation is a good idea in systems where the design volume flow and power in the part of the partial plant controlled by the Intelligent Valve (heating coil/cooler/precontrol circuit) are unknown, or will regularly change in the future due to expansion of the plant or changes of use. This limitation avoids– both in the full load and partial load range – excessive volume flow demands from the controller, as can occur at sudden swings in load or switch-on processes.

The adapted volume flow maximum limitation functions as a moving maximum filter, and calculates the adapted maximum limitation value from the measured volume flow values of the last 4 days. Short-term increases are limited to this adapted maximum limitation value. Longer-term increases (lasting more than 3 hours) lead to a gradual upwards adjustment of the adapted maximum limitation value.

The setting is made by enabling the function. A setpoint is not needed.

### Backup mode

The backup mode specifies the device behavior in case of loss of communication, cable breakage or setpoint failure. If the setpoint is invalid for a configurable period of time, the backup mode determines the device's reaction.

This feature can be configured in 3 different ways:

- The valve is closed in backup mode.
- The device follows the last available setpoint.
- The device follows a predetermined setpoint.

As soon as a valid setpoint is available again, the backup mode stops.

Not all features are available to each control mode. The following features are available based on control mode:

	Dynamic control valve / Dynamic control valve (changeover)			Differential pressure controller	Flow temperature controller	Outside temperature- dependent heating circuit
	Position control	Volume flow control	Power control			
Setpoint	External			Internal	External	Internal
Volume flow maximum limitation	Always active					
Volume flow minimum limitation	Selectable					
Output maximum limitation	-		Always active	-		
Return temperature limitation	Selectable			-	Selectable	
$\Delta T$ -limitation	Selectable			-	Selectable	-
Adapted volume flow maximum limitation	Selectable			-	Selectable	
Backup mode	Selectable			-	Selectable	-

<sup>1)</sup> Only available for the setpoint sources "terminal" and "Modbus RTU".

## Mediums

The Intelligent Valve can be used with all nominal sizes in hydronic circuits with chilled/hot water. For a continuous range of the maximum volume flow of 0.45...120 m<sup>3</sup>/h, use in applications with water-ethylene glycol mixtures with glycol concentrations between 20...35 % is also possible.

The lower limit with regards to water-ethylene glycol mixtures is due to the specifications by antifreeze manufacturers, which do not recommend a lower concentration.

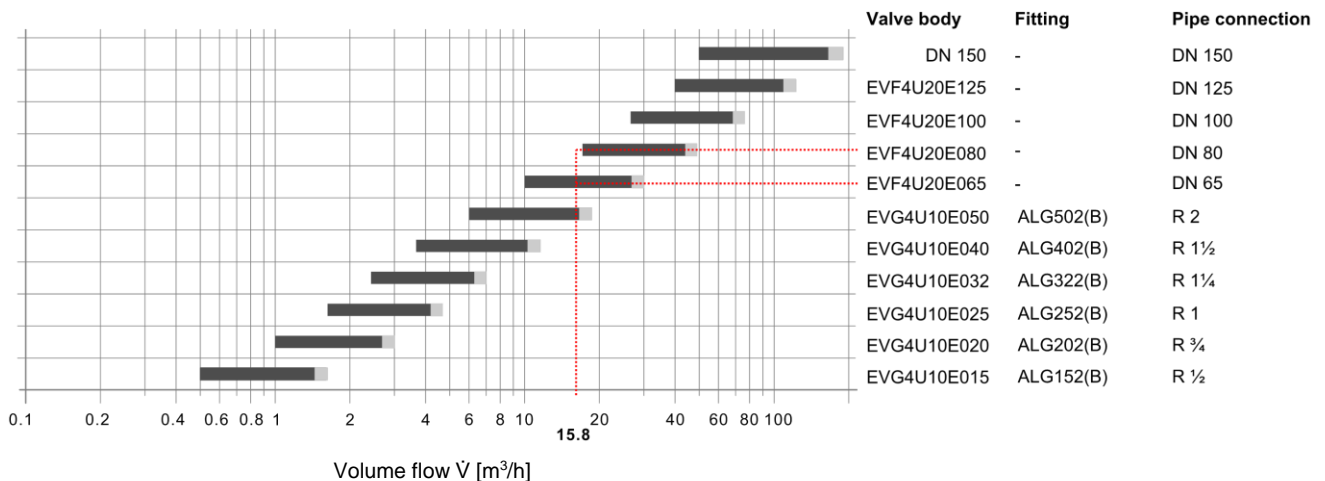
For reliable volume flow/energy measurements of water-ethylene glycol mixtures, the concentration must be parametrized as accurately as possible (parameter "liquid concentration").

## Sizing

### Sizing as dynamic control valve with water

As a pressure-independent solution, it is generally easy to size the Intelligent Valve. If the volume flow is already a known variable, simply select the corresponding valve plus – if desired – the suitable fittings from the diagram below. The electronic volume flow controller ensures that the valves always achieve the specific nominal volume flow. The nominal volume flow cannot however be exceeded.

We recommend selecting the valves so that the maximum volume flow  $\dot{V}_{max}$  must be preset to a value of 30...90 %. Just in case that a somewhat higher volume flow is required during installation than was originally calculated.



- = Recommended design range that permits a subsequent increase in volume flow during the installation phase = 30...90 % of  $\dot{V}_{100}$
- = Maximum design range with no reserve to increase the volume flow = 90...100 % of  $\dot{V}_{100}$

Example		
Required volume flow $\dot{V}_{max}$	Intelligent Valve selection	
15.8 m <sup>3</sup> /h	EVG4U10E050: $\dot{V}_{100} = 18 \text{ m}^3/\text{h}$	$\Rightarrow \dot{V}_{max} = 88 \%$
	EVF4U20E065: $\dot{V}_{100} = 30 \text{ m}^3/\text{h}$	$\Rightarrow \dot{V}_{max} = 53 \%$

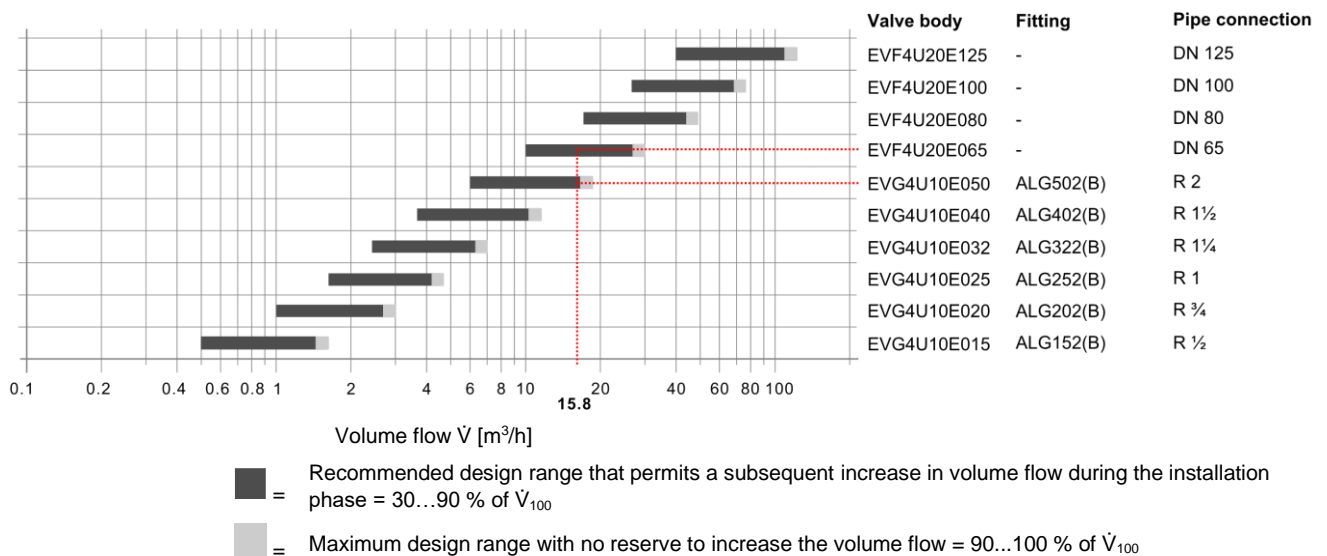
Maximum consumer output range at typical temperature differences with water:

Type	Stock number	DN	$\dot{V}_{100}$ [m <sup>3</sup> /h]	$\dot{Q}$ [kW] at			
				$\Delta T$ 6 K	$\Delta T$ 10 K	$\Delta T$ 15 K	$\Delta T$ 20 K
EVG4U10E015	S55300-M100	15	1.5	10.4	17.4	26.1	34.5
EVG4U10E020	S55300-M101	20	3	20.9	34.8	52	70
EVG4U10E025	S55300-M102	25	4.5	31.3	52	78	104
EVG4U10E032	S55300-M103	32	7	49	81	122	162
EVG4U10E040	S55300-M104	40	11.5	80	133	200	267
EVG4U10E050	S55300-M105	50	18	125	209	313	418
EVF4U20E065	S55300-M106	65	30	209	348	522	696
EVF4U20E080	S55300-M107	80	48	334	557	835	1114
EVF4U20E100	S55300-M108	100	75	522	870	1305	1740
EVF4U20E125	S55300-M109	125	120	835	1392	2088	2784
DN150	-	150	170	1183	1972	2958	3944

### Sizing as dynamic control valve with ethylene glycol mixtures

Sizing the Intelligent Valve for use with water-ethylene glycol mixtures is done analogously to sizing with water. If the volume flow is a known variable. Simply the corresponding valve plus – if desired – the suitable fittings from the diagram below.

We recommend selecting the valves so that the maximum volume flow  $\dot{V}_{max}$  must be preset to a value of 30...90 %.



### Sizing as flow temperature controller

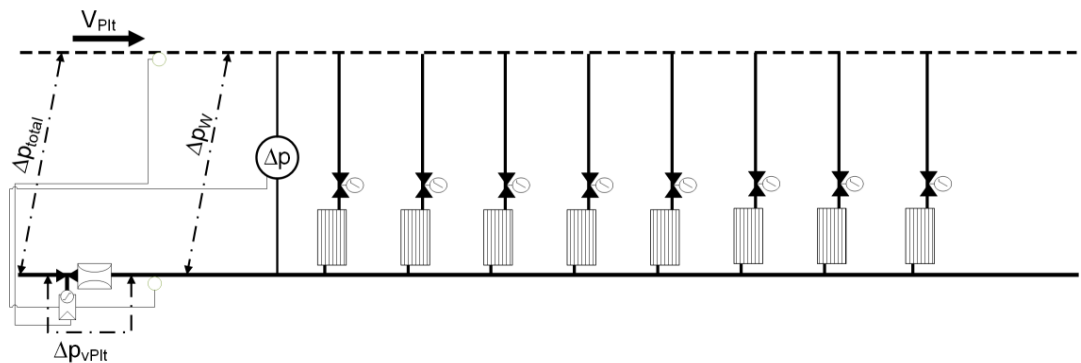
As a rule, the output for transmission in this control function is available at the indicated primary design temperatures as design variables.

This information can be used to calculate the required plant design volume flow which then influences the valve selection. See Engineering examples [→ 12].

### Sizing as differential pressure controller

4 design parameters are required to design as differential pressure controller:

1. The differential pressure  $\Delta p_w$  to control; it may be between 25...120 kPa.
2. The minimum pending total differential pressure  $\Delta p_{total, min}$
3. The maximum pending total differential pressure  $\Delta p_{total, max}$
4. The design flow  $\dot{V}_{PIt}$  for the section of the plant controlled by the Intelligent Valve



- $\Delta p_{total}$  = Available plant differential pressure
- $\dot{V}_{PIt}$  = Design volume flow to control the partial plant
- $\Delta p_w$  = Required differential pressure to control the partial plant
- $\Delta p_{VPIt}$  = Available differential pressure for the Intelligent Valve

In an initial step, the minimum differential pressure available to the Intelligent Valve is calculated:

$$\Delta p_{VPIt} = \Delta p_{total, min} - \Delta p_w$$

The minimum required  $k_V$  value for the Intelligent Valve can be determined using the  $\Delta p_{VPIt}$  and the design flow  $\dot{V}_{PIt}$ :

$$\min k_V = \dot{V}_{PIt} / \sqrt{(\Delta p_{VPIt})}$$

Select the valve with the next higher  $k_{VS}$  value from the Type summary [→ 15].

## Engineering examples

### Intelligent Valve as dynamic control valve or flow temperature controller

#### Calculation basis

1. Determination of heating or cooling demand  $\dot{Q}$  [kW]
2. Determination of temperature difference  $\Delta T$  [K]
3. Calculation of volume flow
$$\dot{V}[\text{m}^3/\text{h}] = \frac{\dot{Q}[\text{kW}] \times 3600[\text{s}]}{4190[\text{kJ}/\text{kgK}] \times \Delta T[\text{K}]}$$
4. Select the suitable Intelligent Valve EV..

## Example

1.	Heating/cooling power	$Q = 110 \text{ kW}$
2.	Temperature difference	$\Delta T = 6 \text{ K}$
3.	Volume flow $\dot{V}[\text{m}^3/\text{h}] = \frac{110 \text{ kW} \times 3600 \text{ s}}{4190 \text{ kJ}/\text{kgK} \times 6 \text{ K}} = 15.8 \text{ m}^3/\text{h}$ Note: You can use the valve slider to determine volume flow.	
4.	Select EV.. Select the Intelligent Valve to operate at 90% of the nominal volume flow to allow for higher heating or cooling output as needed.	
	Selection:	EVG4U10E050 $\Delta p_{\min} = 28 \text{ kPa}$
		EVF4U20E065 $\Delta p_{\min} = 8 \text{ kPa}$
5.	Evaluate presetting	
	EVG4U10E050: $15.8 / 18 = 88 \%$	Optimum selection
	EVF4U20E065: $15.8 / 30 = 53 \%$	

## Intelligent Valve as differential pressure controller

### Calculation basis

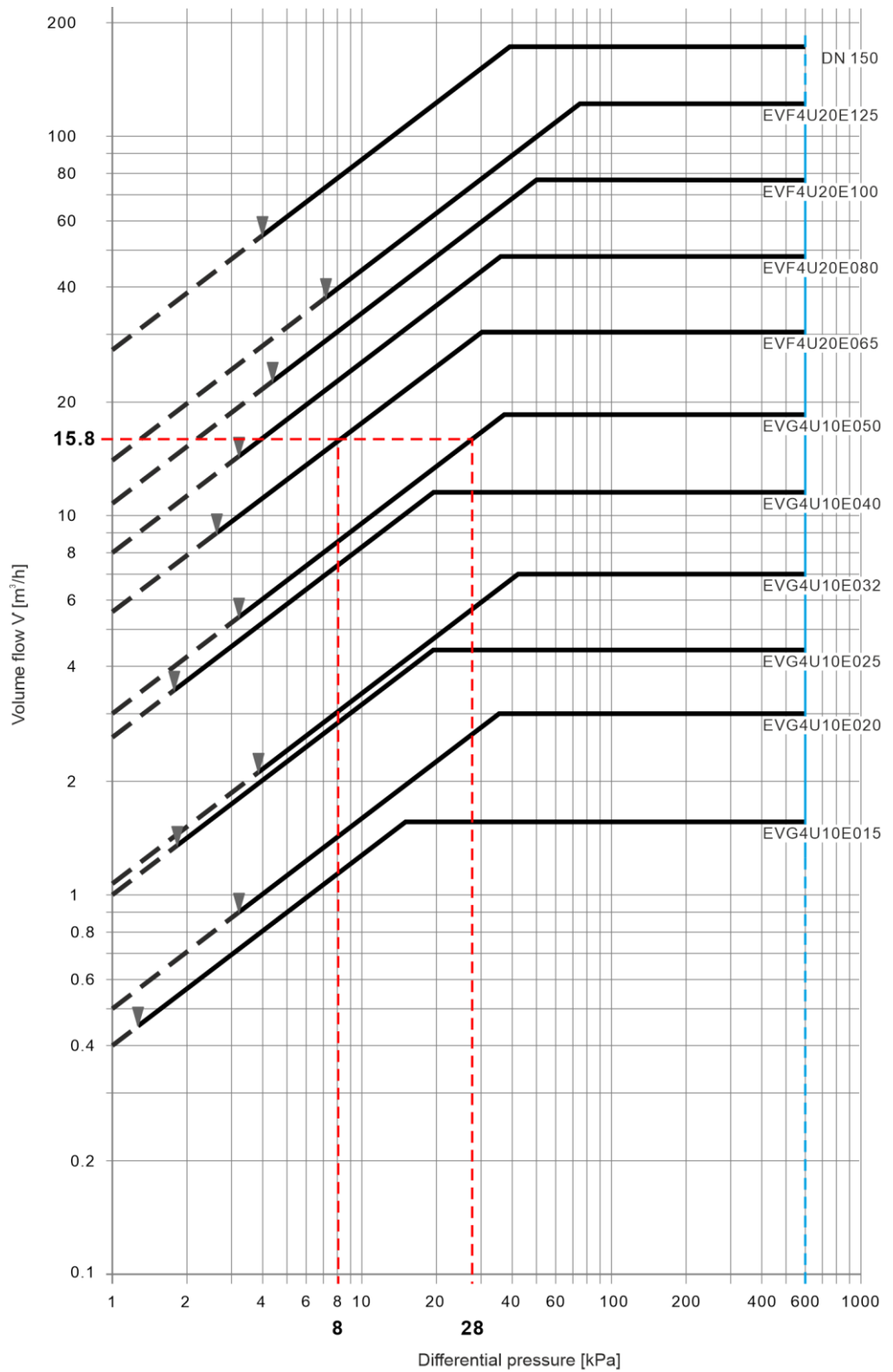
- Determination of the minimum available differential pressure for the Intelligent Valve  $\min \Delta p_{VPit}$  [kPa]
- Determination of the plant flow  $\dot{V}_{Plt}$  [m<sup>3</sup>/h]
- Calculation of the minimum required  $k_v$  value  
$$\min k_v [\text{m}^3/\text{h}] = \frac{\dot{V}_{Plt} [\text{m}^3/\text{h}]}{\sqrt{\min \Delta p_{VPit} [\text{bar}]}}$$
- Select a suitable Intelligent Valve EV..:  $k_{VS} > \min k_v$

## Example

1.	Required plant differential pressure	$\Delta p_w = 35 \text{ kPa (0.35 bar)}$
	Available minimum total differential pressure	$\Delta p_{\text{total, min}} = 50 \text{ kPa (0.5 bar)}$
	Minimum available differential pressure for the Intelligent Valve	$\min \Delta p_{VPit} = 50 - 35 = 15 \text{ kPa (0.15 bar)}$
2.	Plant flow	$\dot{V}_{Plt} = 16 \text{ m}^3/\text{h}$
3.	Required minimum $k_v$ value $\min k_v [\text{m}^3/\text{h}] = \frac{16 \text{ m}^3/\text{h}}{\sqrt{0.15 \text{ bar}}} = 41.3 \text{ m}^3/\text{h}$	
4.	Select EV.. Select an Intelligent Valve with a minimum $k_{VS}$ of 41.3 m <sup>3</sup> /h. This ensures that a required volume flow of 16 m <sup>3</sup> /h can be supplied even at the minimum available differential pressure.	
	Selection:	EVF4U20E065 $k_{VS} = 55 \text{ m}^3/\text{h}$ $\Delta p_{V100} \text{ at } 16 \text{ m}^3/\text{h} = 8.5 \text{ kPa}$
5.	Evaluate presetting	
	EVF4U20E065: $16 / 30 = 53 \%$	Optimum selection

## Sizing diagram

To determine the pressure drop at the requested maximum volume flow, you can rely on the  $k_{vs}$  value under Type summary (page Type summary [→ 15]).



Calculated volume flow $\dot{V}$	Intelligent Valve selection	Differential pressure [kPa]
15.8 m <sup>3</sup> /h	EVG4U10E050	28
	EVF4U20E065	8

**Threaded Intelligent Valve EVG4U10E..**

Type	Stock number	DN	$\dot{V}_{100}$	$min\dot{V}_{max}$	$\Delta p_{V100}$	$\Delta p_{V50}$	$\Delta p_{max}$	$\Delta p_s$	$p_s$	$k_{VS}$
			[m <sup>3</sup> / h]	[kPa]						[m <sup>3</sup> / h]
EVG4U10E015	S55300-M100	15	1.5	0.45	14	4	600 <sup>1)</sup>	1400	1600	4
EVG4U10E020	S55300-M101	20	3	0.9	36	9				5
EVG4U10E025	S55300-M102	25	4.5	1.35	20	5		10		
EVG4U10E032	S55300-M103	32	7	2.1	40	10		11		
EVG4U10E040	S55300-M104	40	11.5	3.45	20	5		26		
EVG4U10E050	S55300-M105	50	18	5.4	36	9		30		

		Operating voltage	Positioning signal	Positioning time	Fail-safe function
EVG4U10E015	S55300-M100	AC / DC 24 V	DC 0...10 V DC 2...10 V 4...20 mA	90 s	-
EVG4U10E020	S55300-M101				
EVG4U10E025	S55300-M102				
EVG4U10E032	S55300-M103				
EVG4U10E040	S55300-M104				
EVG4U10E050	S55300-M105				

If low noise operation is desired, a maximum permissible differential pressure of 200 kPa is recommend.

- DN = Nominal size
- $\dot{V}_{100}$  = Volume flow through a fully open valve
- $min\dot{V}_{max}$  = The smallest possible preset volume flow through a fully open valve
- $\Delta p_{V100}$  = Required minimum differential pressure to guarantee nominal flow  $\dot{V}_{100}$
- $\Delta p_{V50}$  = Pressure over the fully opened valve at 50 % of nominal flow
- $\Delta p_{max}$  = Maximum permissible differential pressure over the valve control path, valid for the entire positioning range of the valve-actuator unit
- $\Delta p_s$  = Maximum permissible differential pressure (closing pressure) at which the valve-actuator unit securely closes against the pressure
- $p_s$  = Permissible operational pressure
- $k_{VS}$  = Nominal flow value for cold water (5...30 °C) through a fully opened valve at a differential pressure of 100 kPa (1 bar)

- <sup>1)</sup> The maximum permissible differential pressure of 600 kPa requires some safety measures:
- The volume flow limitation to  $V_{100}$  must always be adhered to, even in manual operation.
  - Flushing with 600 kPa and a **completely open** valve is not permitted. During flushing, the ball valve must be positioned at 50 % or less; or the flow sensor is to be replaced by a spacer during flushing.
  - Cavitation must be avoided: the static pressure downstream of the valve must be at least as high as the differential pressure.

## Flanged Intelligent Valve EVF4U20E..

Type	Stock number	DN	$\dot{V}_{100}$	$min\dot{V}_{max}$	$\Delta p_{V100}$	$\Delta p_{V50}$	$\Delta p_{max}$	$\Delta p_s$	$p_s$	$k_{VS}$
			[m <sup>3</sup> /h]		[kPa]				[m <sup>3</sup> /h]	
EVF4U20E065	S55300-M106	65	30	9	30	7	600 <sup>1)</sup>	1600	1500	55
EVF4U20E080	S55300-M107	80	48	14.4	36	9			1200	80
EVF4U20E100	S55300-M108	100	75	22.5	44	11			1600	113
EVF4U20E125	S55300-M109	125	120	36	71	18				142
DN150	-	150	170	51	37	9	500	1400	280	

		Operating voltage	Positioning signal	Positioning time	Fail-safe function
EVF4U20E065	S55300-M106	AC / DC 24 V	DC 0...10 V DC 2...10 V 4...20 mA	30 s	-
EVF4U20E080	S55300-M107				
EVF4U20E100	S55300-M108				
EVF4U20E125	S55300-M109				
DN150	-	AC / DC 24 V (Controller) AC / DC 24 V (Flow Sensor)		120 s	

DN = Nominal size

$\dot{V}_{100}$  = Volume flow through a fully open valve

$min\dot{V}_{max}$  = The smallest possible preset volume flow through a fully open valve

$\Delta p_{V100}$  = Required minimum differential pressure to guarantee nominal flow  $\dot{V}_{100}$

$\Delta p_{V50}$  = Pressure over the fully opened valve at 50 % of nominal flow

$\Delta p_{max}$  = Maximum permissible differential pressure over the valve control path, valid for the entire positioning range of the valve-actuator unit

$\Delta p_s$  = Maximum permissible differential pressure (closing pressure) at which the valve-actuator unit securely closes against the pressure

$p_s$  = Permissible operational pressure

$k_{VS}$  = Nominal flow value for cold water (5...30 °C) through a fully opened valve at a differential pressure of 100 kPa (1 bar)

<sup>1)</sup> The maximum permissible differential pressure of 600 kPa requires some safety measures:

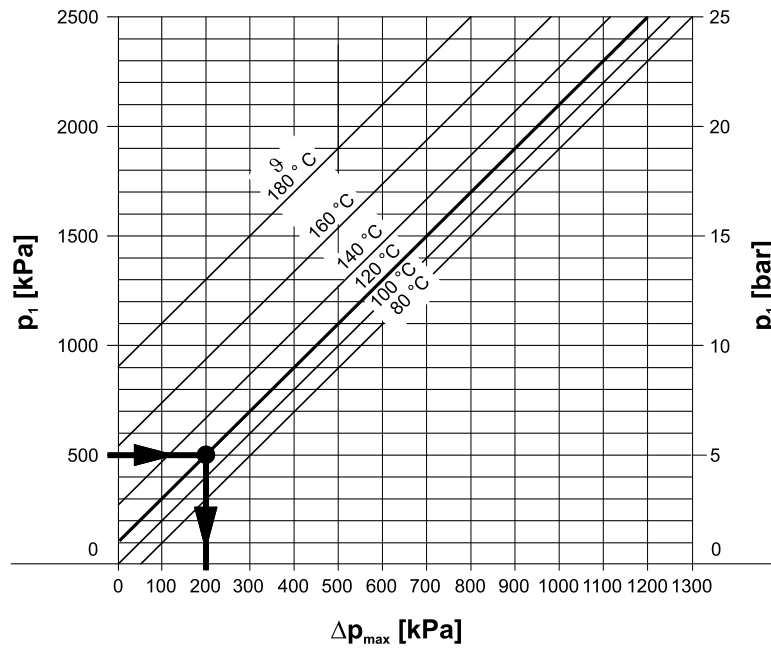
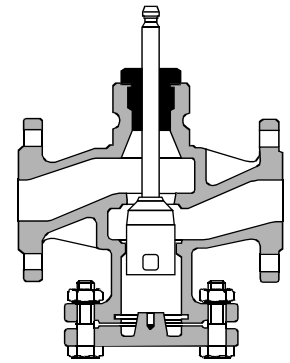
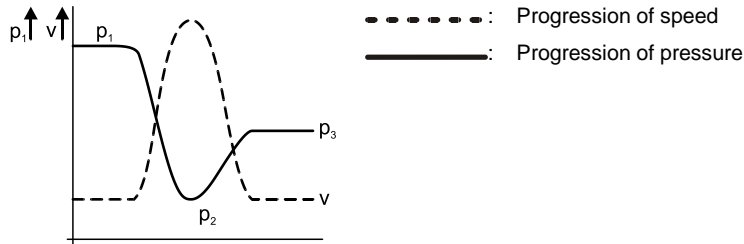
- The volume flow limitation to  $\dot{V}_{100}$  must always be adhered to, even in manual operation.
- Flushing with 600 kPa and a **completely open** valve is not permitted. During flushing, the ball valve must be positioned at 50 % or less; or the flow sensor is to be replaced by a spacer during flushing.
- Cavitation must be avoided: the static pressure downstream of the valve must be at least as high as the differential pressure.



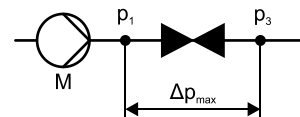
## Cavitation

Due to high speeds of the medium in the narrowest part of the valve, local negative pressure occurs ( $p_2$ ). If this pressure drops below the medium's boiling pressure, cavitation occurs (steam bubbles), possibly leading to material removal (abrasion). Also, when cavitation sets in, the noise level increases abruptly.

Cavitation can be avoided by limiting the pressure differential across the valve depending on the medium temperature and the prepressure.



- $\Delta p_{\max}$  = Differential pressure with valve almost fully closed at which cavitation can largely be avoided
- $p_1$  = Static pressure at valve inlet
- $p_3$  = Static pressure at valve outlet
- M = Pump
- $\vartheta$  = Water temperature



## Scope of delivery

The Intelligent Valve is supplied as a complete set consisting of:

EVG.. Threaded	EVF.. Flanged
Intelligent Valve controller	
Actuator	
Flow sensor	
Control valve	
Mounting set	
Temperature sensor pair for direct installation (order protective pockets separately)	Temperature sensor pair including protective pockets

The devices are supplied without fittings, mating flange, and gaskets.

Welding sleeves, e.g. WZT-G12, for protective pockets must be ordered separately!

The DN150 solution consist of the components in the table below and have to be ordered separately:

Type	Stock number	Description
ASE4U10E	S55845-Z205	Intelligent Valve controller for PICVs, series EVG4U.. and EVF4U..
VVF42.150KC	S55204-V186	Pressure compensated control globe valve DN150, PN16, $k_{vs}$ 315
SAV61.00/HR	S55150-A146	Valve actuator 1600 N, 40 mm stroke, AC/DC 24 V, modulating 0...10 V, highly accurate positioning signal
EZU10-10025	S55845-Z230	Temperature sensor pair Pt1000, PL Ø 6 x 105 mm, cable length 2.5 m
EZT-S100	S55845-Z232	Protective pocket G ½ B", G ¼ B", stainless steel, Ø 6.2 x 92.5 mm, for temperature sensors Ø 6 x 105 mm
EZU-WA	S55845-Z234	Wall mount for Intelligent Valve controller
SITRANS FM MAG 5100 W + SITRANS FM MAG 5000 (7ME6520-4HC12-2KA1)	-	Electromagnetic flow sensor + transmitter, DN150

For the DN150 solution, the Intelligent Valve controller cannot be mounted on the SITRANS flow sensor. A remote mounting, e.g. on the wall, is necessary.

Screws, nuts and sealings for connecting the valve and flow sensor are not included in the delivery scope and must be procured additionally.

The SITRANS FM MAG 5000 transmitter is connected to input X3 of the control unit via a 4...20mA signal. Input X3 can be parameterized accordingly in the basic configuration via ABT Go and ABT Site.

In addition to the controller, the sensor-transmitter combination must also be supplied with 24 V AC/DC.

**Accessories**

Type	Stock number	Description	
EZT-M40	S55845-Z231	Protective pockets, brass, for DN15...50	DN65...125 include protective pockets!
EZU-WA	S55845-Z234	Wall mount for Intelligent Valve controller	At high media temperatures (>90°C)
EZU-WB	S55845-Z236	Spacers for Intelligent Valve controller	For risk of condensation due to low media temperatures
EZU10-10060	S55845-Z237	Immersion temperature sensor pair Pt1000	PL Ø 6 x 105 mm, cable length 6 m
ALX15	S55845-Z174	Filter with internal threading, DN15	Filter
ALX20	S55845-Z175	Filter with internal threading, DN20	
ALX25	S55845-Z176	Filter with internal threading, DN25	
ALX32	S55845-Z177	Filter with internal threading, DN32	
ALX40	S55845-Z178	Filter with internal threading, DN40	
ALX50	S55845-Z179	Filter with internal threading, DN50	
ALI15VAG60/61	S55845-Z162	Insulation cover, DN15	For thermal insulation
ALI20VAG60/61	S55845-Z163	Insulation cover, DN20	
ALI25VAG60/61	S55845-Z164	Insulation cover, DN25	
ALI32VAG60/61	S55845-Z165	Insulation cover, DN32	
ALI40VAG60/61	S55845-Z166	Insulation cover, DN40	
ALI50VAG60/61	S55845-Z167	Insulation cover, DN50	
QAC22	BPZ:QAC22	LG-Ni1000 outdoor sensor	Temperature sensor for the control functions <ul style="list-style-type: none"> <li>• Flow temperature control</li> <li>• Outside temperature-dependent flow control</li> </ul>
QAD22	BPZ:QAD22	Strap-on temperature sensor LG-Ni1000	
QAE2120.010	BPZ:QAE2120.010	Immersion temperature sensor LG-Ni1000, with protection pocket, 100 mm	
QAE2120.015	BPZ:QAE2120.015	Immersion temperature sensor LG-Ni1000, with protection pocket, 150 mm	
QAE2164.010	BPZ:QAE2164.010	Immersion temperature sensor DC 0...10 V, 100 mm	
QAE2164.015	BPZ:QAE2164.015	Immersion temperature sensor DC 0...10 V, 150 mm	
QBE3000-D1.6	S55720-S174	Differential pressure sensor for liquids and gases (0...10 V) for the control function <ul style="list-style-type: none"> <li>• Differential pressure control</li> </ul>	0...1.6 bar
QBE3000-D2.5	S55720-S175		0...2.5 bar
QBE3000-D4	S55720-S176		0...4 bar

## Fittings

Type	Stock number	Description		
ALG152	BPZ:ALG152	G 1" / Rp ½"	Fittings set of 2 ● 2 cap nuts ● 2 insert nuts ● 2 flat seals	Malleable cast iron
ALG202	BPZ:ALG202	G 1¼" / Rp ¾"		
ALG252	BPZ:ALG252	G 1½" / Rp 1"		
ALG322	BPZ:ALG202	G 2" / Rp 1¼"		
ALG402	BPZ:ALG202	G 2¼" / Rp 1½"		
ALG502	BPZ:ALG202	G 2¾" / Rp 2"		
ALG152B	S55846-Z100	G 1" / Rp ½"		Brass For medium temperatures up to 100 °C
ALG202B	S55846-Z102	G 1¼" / Rp ¾"		
ALG252B	S55846-Z104	G 1½" / Rp 1"		
ALG322B	S55846-Z106	G 2" / Rp 1¼"		
ALG402B	S55846-Z108	G 2¼" / Rp 1½"		
ALG502B	S55846-Z110	G 2¾" / Rp 2"		
ALR20.252B	S55845-Z273	R ¾" / Rp 1"	Reducers set of 2	
ALR32.252B	S55845-Z274	R 1¼" / Rp 1"	Reducer nipples set of 2	

## Spare parts

Type	Stock number	Description
ASE4U10E	S55845-Z205	Intelligent Valve controller for PICVs, series EVG4U.. and EVF4U..
AVG4E015	S55845-Z206	Ultrasonic flow sensor for Intelligent Valve DN15, mounting length 110 mm, threaded, G 3/4 B, PN 16
AVG4E020	S55845-Z207	Ultrasonic flow sensor for Intelligent Valve DN20, mounting length 130 mm, threaded, G 1 B, PN 16
AVG4E025	S55845-Z208	Ultrasonic flow sensor for Intelligent Valve DN25, mounting length 150 mm, threaded, G 1 ½ B, PN 16
AVG4E032	S55845-Z209	Ultrasonic flow sensor for Intelligent Valve DN32, mounting length 135 mm, threaded, G 1 ¼ B, PN 16
AVG4E040	S55845-Z210	Ultrasonic flow sensor for Intelligent Valve DN40, mounting length 200 mm, threaded, G 2 B, PN 16
AVG4E050	S55845-Z212	Ultrasonic flow sensor for Intelligent Valve DN50, mounting length 200 mm, threaded, G 2 B, PN 16
AVF4E065	S55845-Z213	Ultrasonic flow sensor for Intelligent Valve DN65, mounting length 300 mm, flanged DN65, PN 16
AVF4E080	S55845-Z214	Ultrasonic flow sensor for Intelligent Valve DN80, mounting length 300 mm, flanged DN80, PN 16
AVF4E100	S55845-Z215	Ultrasonic flow sensor for Intelligent Valve DN100, mounting length 360 mm, flanged DN100, PN 16
AVF4E125	S55845-Z216	Ultrasonic flow sensor for Intelligent Valve DN125, mounting length 360 mm, flanged DN100, PN 16
SITRANS FM MAG 5100 W <sup>2)</sup>	-	Electromagnetic flow sensor, DN150
SITRANS FM MAG 5000 <sup>2)</sup>	-	Transmitter, DN150
ALG15G10B	S55846-Z135	Control valve mounting set PN16 for Intelligent Valve DN15 (EVG4..1..E015), threaded
ALG20G15B	S55846-Z136	Control valve mounting set PN16 for Intelligent Valve DN20 (EVG4..1..E020), threaded
ALG25G25B	S55846-Z137	Control valve mounting set PN16 for Intelligent Valve DN25 (EVG4..1..E025), threaded
ALG32G20B	S55846-Z138	Control valve mounting set PN16 for Intelligent Valve DN32 (EVG4..1..E032), threaded

Type	Stock number	Description
ALG40G32B	S55846-Z139	Control valve mounting set PN16 for Intelligent Valve DN40 (EVG4..1..E040), threaded
ALG50G32B	S55846-Z140	Control valve mounting set PN16 for Intelligent Valve DN50 (EVG4..1..E050), threaded
ALF4E065	S55845-Z218	Control valve mounting set PN16 for Intelligent Valve DN65 (EVF4..2..E065), flanged
ALF4E080	S55845-Z219	Control valve mounting set PN16 for Intelligent Valve DN80 (EVF4..2..E080), flanged
ALF4E100	S55845-Z220	Control valve mounting set PN16 for Intelligent Valve DN100 (EVF4..2..E100), flanged
ALF4E125	S55845-Z221	Control valve mounting set PN16 for Intelligent Valve DN125 (EVF4..2..E125), flanged
EZU10-2615	S55845-Z229	Temperature sensor pair Pt1000, DS M10x1, Ø 5.2 x 26 mm, cable length 1.5 m
EZU10-10025	S55845-Z230	Temperature sensor pair Pt1000, PL Ø 6 x 105 mm, cable length 2.5 m
EZT-S100	S55845-Z232	Protective pocket G ½ B", G ¼ B", stainless steel, Ø 6.2 x 92.5 mm, for temperature sensors Ø 6 x 105 mm
VAG61.15-6.3	S55230-V104	2-port control ball valve, externally threaded, PN40, DN15, k <sub>vs</sub> 6.3
VAG61.20-10	S55230-V107	2-port control ball valve, externally threaded, PN40, DN20, k <sub>vs</sub> 10
VAG61.25-16	S55230-V110	2-port control ball valve, externally threaded, PN40, DN25, k <sub>vs</sub> 16
VAG61.32-25	S55230-V113	2-port control ball valve, externally threaded, PN40, DN32, k <sub>vs</sub> 25
VAG61.40-40	S55230-V116	2-port control ball valve, externally threaded, PN40, DN40, k <sub>vs</sub> 40
VAG61.50-63	S55230-V119	2-port control ball valve, externally threaded, PN40, DN50, k <sub>vs</sub> 63
VVF42.65KC <sup>1)</sup>	S55204-V182	Pressure compensated control globe valve DN65, PN16, flanged for Intelligent Valve EVF4U20E65, k <sub>vs</sub> 63
VVF42.80KC <sup>1)</sup>	S55204-V183	Pressure compensated control globe valve DN80, PN16, flanged for Intelligent Valve EVF4U20E80, k <sub>vs</sub> 100
VVF42.100KC <sup>1)</sup>	S55204-V184	Pressure compensated control globe valve DN100, PN16, flanged for Intelligent Valve EVF4U20E100, k <sub>vs</sub> 160
VVF42.125KC <sup>1)</sup>	S55204-V185	Pressure compensated control globe valve DN125, PN16, flanged for Intelligent Valve EVF4U20E125, k <sub>vs</sub> 200
VVF42.150KC <sup>2)</sup>	S55204-V186	Pressure compensated control globe valve DN150, PN16, k <sub>vs</sub> 315
GLA161.9E/HR	S55499-D444	Rotary actuator for ball valves, AC/DC 24 V, 10 Nm, NSR, modulating 0...10 V Highly accurate positioning signal, only for use with Intelligent Valve EVG4U10E..
SAX61.03/HR	S55150-A142	Valve actuator 800 N, 20 mm stroke, AC/DC 24 V, modulating 0...10 V Highly accurate positioning signal, only for use with Intelligent Valve EVF4U20E.., DN65 and DN80
SAV61.00/HR	S55150-A146	Valve actuator 1600 N, 40 mm stroke, AC/DC 24 V, modulating 0...10 V Highly accurate positioning signal, only for use with Intelligent Valve EVF4U20E.., DN100 and DN125
428488060	BPZ:428488060	Stem sealing gland for VVF42.65KC and VVF42.80KC
467956290	BPZ:467956290	Stem sealing gland for VVF42.100KC and VVF42.125KC

<sup>1)</sup> Only available as spare part for EVF4U20E..

<sup>2)</sup> Only available as spare part for DN150.

## Product documentation

Title	Content	Document ID	
Intelligent Valve - Control valve with integrated energy data acquisition	Data sheet: Product description EVG.., EVF..	A6V11444716	
Rotary actuators for ball valves in combination with the Intelligent Valve controller	Data sheet: Product description GLA161.9E/HR	A6V11418678	
Electromotive actuators in combination with the Intelligent Valve controller	Data sheet: Product description SAX61.03/HR, SAV61.00/HR	A6V11418660	
Actuators SAX.., SAY.., SAV.., SAL.. for valves	Basic document: Comprehensive information on the new generation of SAX.., SAV.. actuators.	P4040	
EVG../EXG../EVF../EXF..	Mounting instructions	A6V11449479	
GLA161.9E/HR	Mounting instructions	A6V11418688	
AVG4..AVF4..	Mounting instructions	A6V11478285	
Intelligent Valve – Commissioning with ABT Go	Commissioning instructions: Step-by-step description to configure and commission with ABT Go	A6V11422293	
Intelligent Valve – Engineering/Commissioning in Desigo	Engineering instructions: Step-by-step description of integration in Desigo PX plants	A6V11572317	
Intelligent Valve – Modbus Registers	Description of Modbus registers for Intelligent Valve	A6V12547886	
Intelligent Valve – BACnet Objects	List of BACnet objects for Intelligent Valve	A6V11757108	
Intelligent Valve – Onboarding in Operations Manager	Engineering instructions: Step-by-step description of integration in Siemens Operations Manager	A6V11999683	
Readme OSS "Intelligent Valve"	OSS document Open source software components, copyrights, licensing agreements	V1.2	A6V11676101
		V2.0	A6V12343374
		V3.0	A6V13095123
		V4.0	A6V14032035

Related documents such as environmental declarations, CE declarations, etc., can be downloaded at the following Internet address: <http://siemens.com/bt/download>

## Safety notes

Comply with the following safety notes to protect life, limb, and property.

The safety notes in the document include the following elements:

- Symbol for hazard
- Signal word
- Type and source of hazard
- Consequences in the event the hazard occurs
- Measures or prohibitions to prevent the hazard

### Symbol for hazard



This is the symbol for hazard. It warns you of **Risks of injury**.

Comply with all measures designated by this symbol to prevent injury or death.

### Additional hazard symbols

These symbols indicate general hazards, type of hazard, possible consequences, measures and prohibitions, a sample of which is displayed in the following table:



General hazard



Potentially explosive atmospheres



Voltage/electrical shock



Laser light



Battery



Heat


### Signal word

The signal word classifies the hazard as defined in the following table:

Signal word	Danger level
<b>DANGER</b>	'DANGER' identifies a dangerous situation, that <b>results directly in death or serious injuries</b> , if you do not avoid this situation.
<b>WARNING</b>	'WARNING' identifies a dangerous situation, that <b>can result in death or serious injuries</b> , if you do not avoid this situation.
<b>CAUTION</b>	'CAUTION' identifies a dangerous situation, that <b>can result in minor or moderate injuries</b> , if you do not avoid this situation.
<i>Note</i>	'NOTE' identifies a possible situation that may cause damage if not observed. 'NOTE' does not reference possible injury.


### Depiction of risk of injury

Notes on risk of injury is depicted as follows:


	<b>⚠ WARNING</b>
	<b>Type and source of hazard</b> Consequences in the event the hazard occurs <ul style="list-style-type: none"><li>• Measures/prohibitions to prevent the hazard</li></ul>

### DEPICTION for possible damage to property


Notes on possible damage to property is depicted as follows:

	<b>NOTICE</b>
	<b>Type and source of hazard</b> Consequences in the event the hazard occurs <ul style="list-style-type: none"><li>• Measures/prohibitions to prevent the hazard</li></ul>

### Safety

	<b>⚠ CAUTION</b>
	<b>National safety regulations</b> Failure to comply with national safety regulations may result in personal injury and property damage. <ul style="list-style-type: none"><li>• Observe national provisions and comply with the appropriate safety regulations.</li></ul>

### Qualified personnel

	<b>NOTICE</b>
	<b>Qualified personnel!</b> Improper installation may override safety measures that a lay person may not recognize. <ul style="list-style-type: none"><li>• Specialized knowledge of heating and air conditioning plants is required for installation.</li><li>• Only properly trained personnel may install the equipment.</li><li>• Prevent access to lay persons, especially children.</li></ul>

Only persons who can reasonably be expected to reliably conduct the work may actually perform the tasks. Do not permit persons whose reactions may be impaired, e.g. by drugs, alcohol, or medications to perform the tasks.

#### Heating specialist

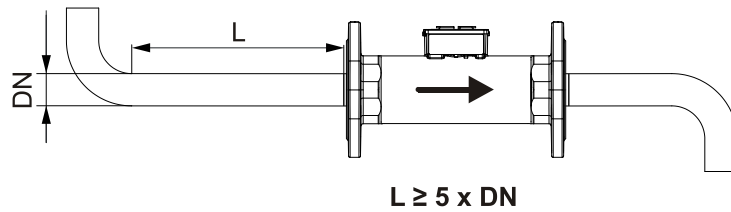
Heating specialists are persons who are capable of performing the mechanical work on heating and air conditioning plants and to independently recognize and avoid hazards due to their technical training, knowledge and experience as well as their knowledge of applicable standards and regulations.

Heating specialists are specially trained for the work environment where they are active and know the relevant standards and regulations.



**Engineering**

An unobstructed inlet section of  $L \geq 5 \times DN$  must be maintained upstream of the flow sensor to guarantee the indicated measurement and control accuracy.

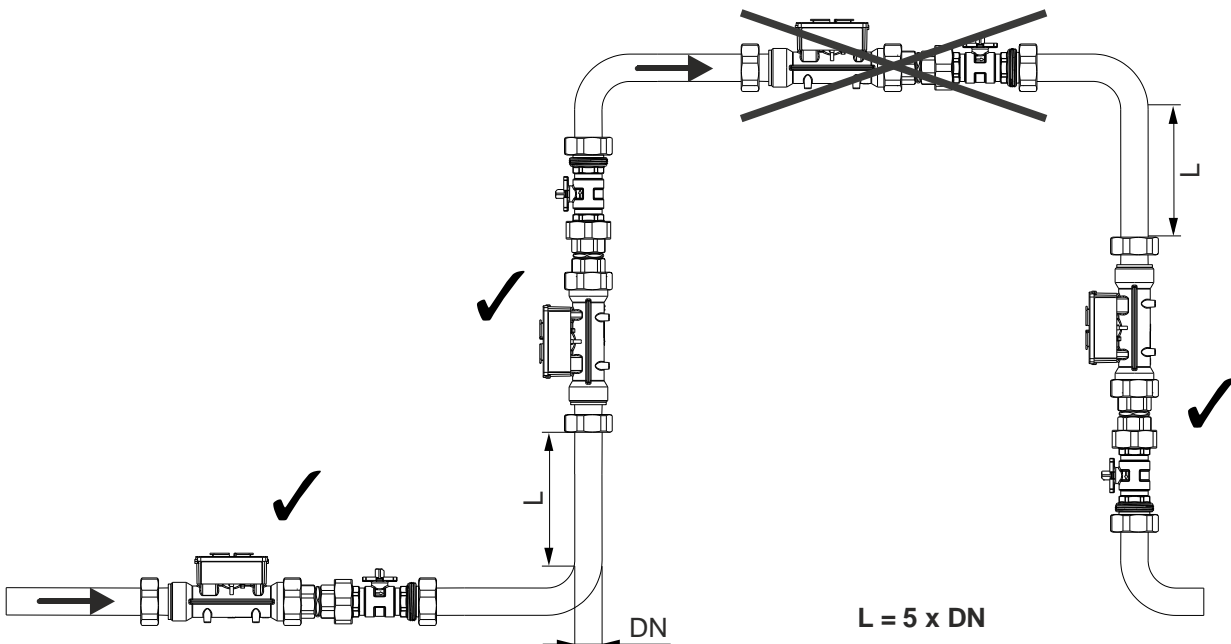


Valve	Symbol / flow direction EVG.. / EVF..	Flow in control mode		Valve stem	
		Input	Output	SAX.. / SAV...: Retracts	SAX.. / SAV...: Extends
				GLA...: Clockwise rotation	GLA...: Counterclockwise rotation
Intelligent Valve		Variable		Closes	Opens



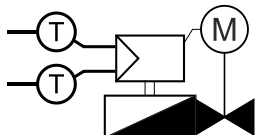
The indicated flow direction (arrow on the flow sensor and valve body) must be correct; the Intelligent Valve cannot otherwise be operated!

Do not install it at the highest point on the partial plant since air bubbles may otherwise collect in the flow meter.



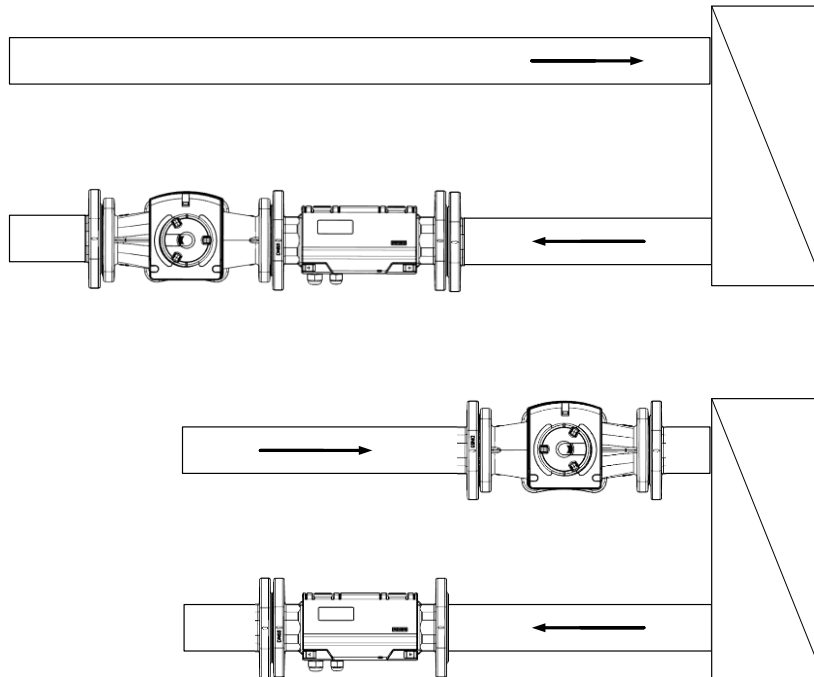
The rule is: Measure first, then control – in other words, the flow sensor must always be mounted upstream of the control valve in a compact installation.

The Intelligent Valve must be installed in the return for optimum performance. The components are subject to less wear and tear due to the lower temperatures.

Symbol in catalogs and application descriptions	Symbol in diagrams
	<p>There are no standard symbols for PICVs in the diagrams</p>

We recommend installing a filter or strainer, e.g. ALX., in the flow to the heat exchanger. This increases the reliability and life cycle of the Intelligent Valve.

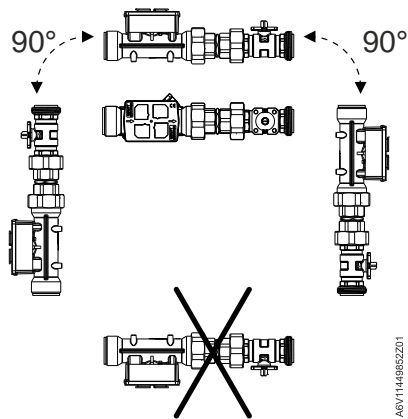
The flow sensor and control valve can be installed separately:



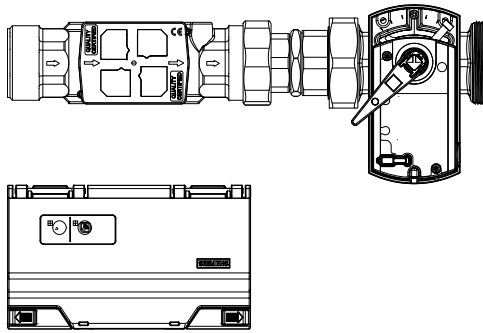
## Mounting

The Intelligent Valve is assembled at the mounting location. No adjustments, with the exception of configuring with the ABT Go app (see Commissioning [→ 30]) nor special tools are required. Separate mounting instructions are included with the valve and flow sensor.

### Mounting positions



Mount the flow sensor in the return if the media temperatures exceed 90 °C. If not possible, mount the Intelligent Valve controller remotely from the flow sensor and use the wall-mount plate EZU-WA.

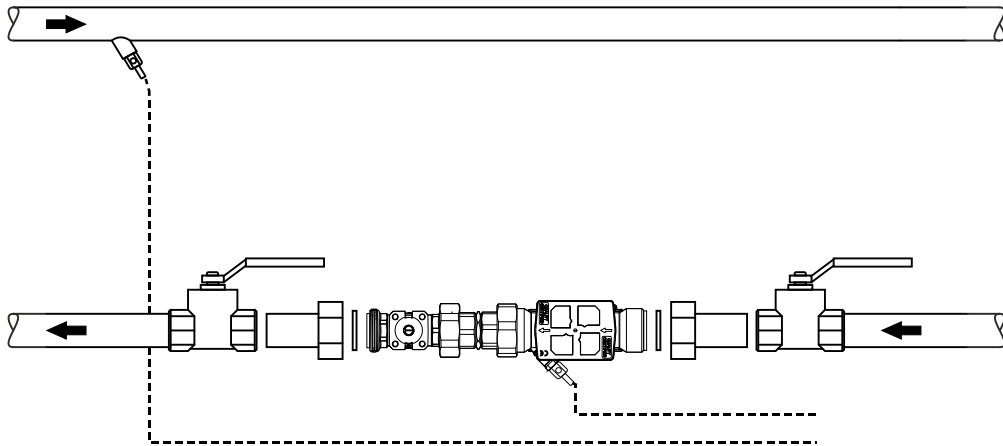


### Mounting the temperature sensors

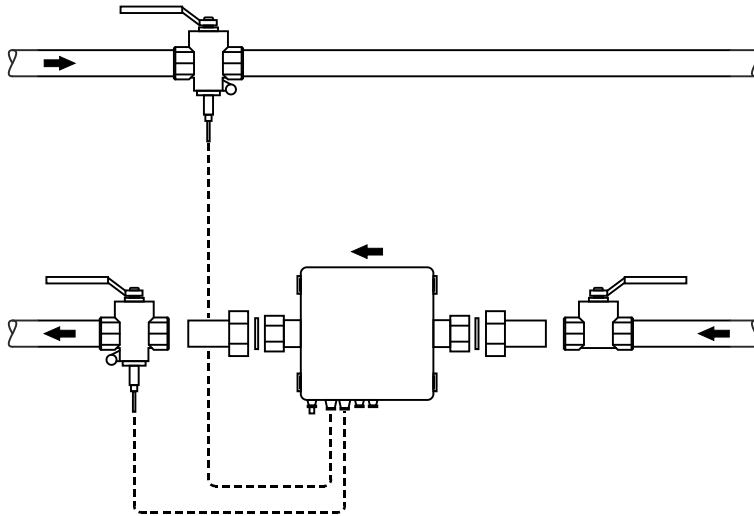
Threaded valves **EVG4U10E..**

The EVG.. threaded valves are supplied with direct immersion temperature sensors EZU10-2615.

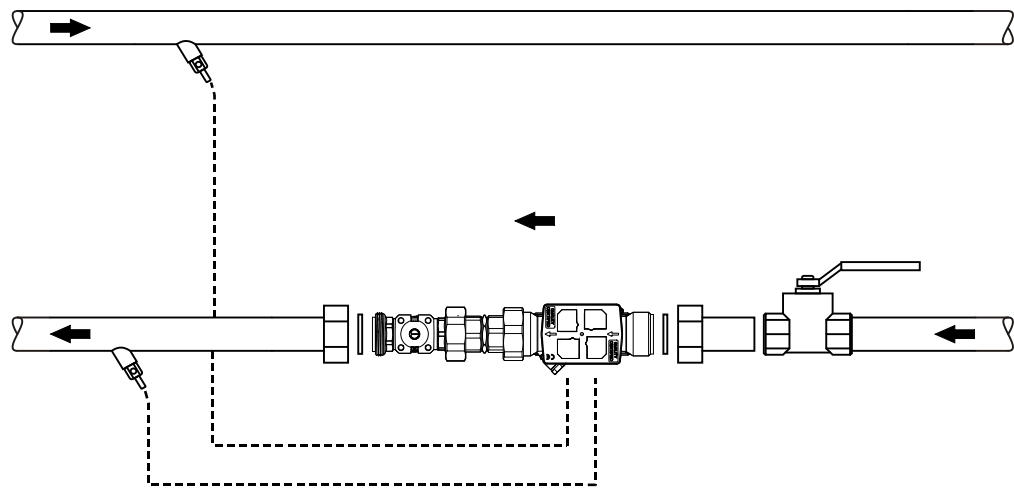
The sensors with the M10x1 threaded connection can be directly immersed in the flow sensor. The second temperature sensor is also directly immersed with the WZT-G10 welding sleeve (available as accessory).



As an alternative, the sensors can be immersed directly in off-the-shelf ball valves with integrated measuring points (e.g. Siemens WZT-K.. / Jumo 902442/11) or t-pieces (e.g. Jumo 902442/31).



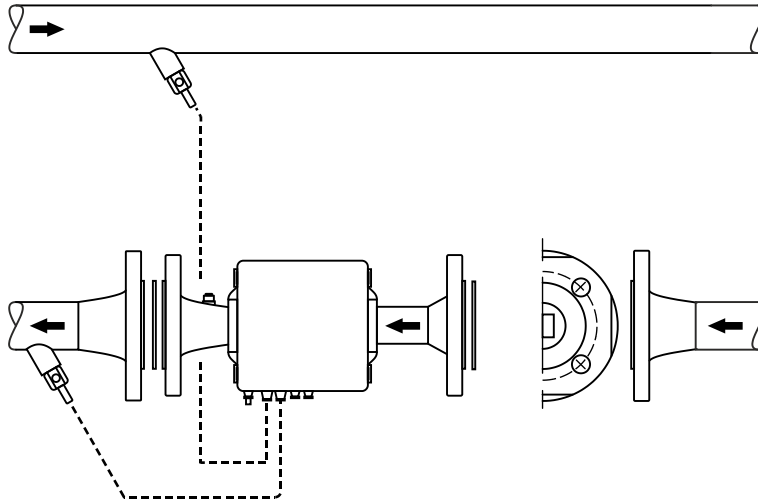
The brass protective pockets EZT-M40 are available for mounting with protective pockets.



### Flanged valves **EVF4U20E..**

The EVF.. flanged valves include the temperature sensors EZU10-10025 for installing in the protective pockets EZT-S100 (also included).

Welding sleeves must be planned on the construction side (e.g. WZT-G12) – Installation example with protective pocket.



### Mounting the controllers

For the EVG.. valves and EVF.. valves, the controller can be mounted either onto the flow sensor or to the wall.

For the DN150 solution, the controller cannot be mounted onto the flow sensor. A mounting to the wall is recommended.

## Commissioning

The device has only a simple user interface.

Siemens ABT Go app is used to actually commission the device.

### ABT Go App (Version 3.3.1 or later)

The Siemens ABT Go app is available in iOS and Android versions in the corresponding app stores and can be used on smartphones and tablets. It connects directly over WLAN. The Intelligent Valve's own WLAN button activates the device's WLAN access point.

The following are the most important setting parameters for commissioning the Intelligent Valve:

Parameter	Value range	Description	Factory setting	Access level
Valve design	<ul style="list-style-type: none"> <li>2-port valve.</li> <li>3-port valve</li> </ul>	Selection for controlling a 2-port or 3-port valve.	2-port valve.	Measuring and control technician
Control function	<ul style="list-style-type: none"> <li>Dynamic control valve</li> <li>Differential pressure controller</li> <li>Flow temperature controller</li> <li>Outside temperature-dependent flow temperature controller</li> <li>Control valve for changeover</li> </ul>	See Use [→ 2]	Dynamic control valve	Measuring and control technician
Control mode	<ul style="list-style-type: none"> <li>Volume flow control</li> <li>Position control</li> <li>Power control</li> </ul>	See Control modes as dynamic control valve [→ 6]	Volume flow control	Measuring and control technician
$\dot{V}_{\max}$	30...100 %	Maximum volume flow applicable to all control modes. It is used for hydronic balancing of the consumer. Can be set in the ABT Go app in the units m <sup>3</sup> /h, l/h, l/min or l/s.	Active 100 %	Installer
$\dot{V}_{\min}$	2.5...20 %	Minimum volume flow applicable to all control modes. Can be set in the ABT Go app in the units m <sup>3</sup> /h, l/h, l/min or l/s.	Inactive	Installer
Setpoint source	<ul style="list-style-type: none"> <li>Terminal</li> <li>BACnet IP (remote)</li> <li>Modbus RTU</li> <li>Local</li> </ul>	Selection whether to interpret input X1 as the setpoint, whether it originates from a BACnet or Modbus network, or whether it is set (e.g. in the event of differential pressure control) locally to a fixed value.	Terminal	Measuring and control technician
Setpoint signal type	<ul style="list-style-type: none"> <li>0...10 V</li> <li>2...10 V</li> <li>4...20 mA</li> </ul>	Signal type pending at input X1	0...10 V	Measuring and control technician
Actual value parameter	<ul style="list-style-type: none"> <li>Position</li> <li>Volume flow 0...V<sub>100</sub></li> <li>Power</li> <li>Primary flow temperature</li> <li>Primary return temperature</li> <li>Temperature difference flow/return</li> </ul>	Selection whether the analog signal on output X2 represents the valve position or volume flow.  In the event of volume flow, 0...V <sub>100</sub> = 0...100 %.	Deactivated	Measuring and control technician
Actual value signal type	<ul style="list-style-type: none"> <li>0...10 V</li> <li>2...10 V</li> <li>4...20 mA</li> </ul>	Signal type pending at output X2	-	Measuring and control technician
Flow characteristics	<ul style="list-style-type: none"> <li>Linear</li> <li>Equal percentage</li> <li>Heat exchanger optimized</li> </ul>	The flow characteristic flow can be selected in the volume flow control mode.	Linear	Measuring and control technician

## User interface on the device

### Service LED [1]

- Indicates the operating state (see table below)

### Service button [2]

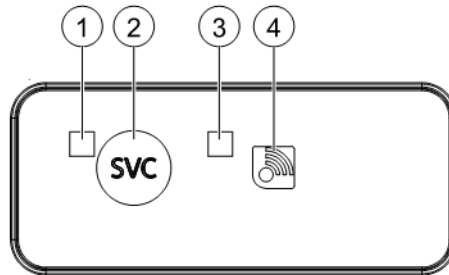
- Trigger wink
- Override setpoint and set  $\dot{V}_{\max}$  for 10 minutes (press for 3...6 s)
- Start flow test (press for 6...8 s)

### Communication LED [3]

- Indicates the communication state (see table below)

### WLAN button [4]

- Enable integrated WLAN Access Point for 10 min (press for ca. 0.5 s)

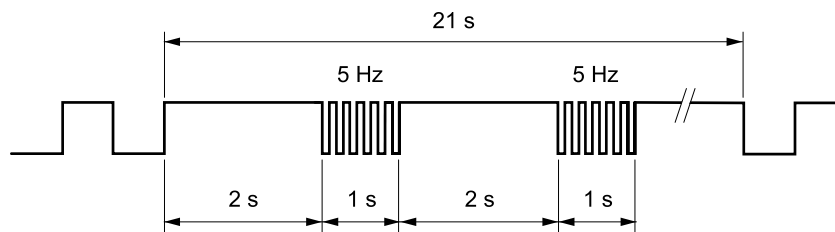


- Reset device to factory settings
  - Press both buttons ([2], [4]) at the same time for 10...15 s: The LEDs ([1], [3]) slowly flash orange for 10 s  
You can cancel the process during these 10 seconds by releasing the buttons.
  - After flashing for 10 s, the LEDs flash quickly for ca. 5 s and the reset is triggered by releasing the buttons.
  - The controller returns to normal operation without resetting if you continue to press the buttons.

<b>!</b>	<b>NOTICE</b>
	<p>All configurations, network settings, commissioning parameters, and passwords are set to factory settings!</p> <ul style="list-style-type: none"><li>• This action cannot be cancelled nor reversed.</li></ul>

Service LED			SVC
Color	Blinking pattern		Description
	On	Off	
White	Continuous	-	Device starting up
Green	0.5 s	0.5 s	Device in configuration mode
	4.75 s	0.25 s	Normal operation
	0.25 s	0.25 s	Stop local forced control
Blue	0.5 s	0.5 s	Local forced control – Flow test
Yellow	0.5 s	0.5 s	Local forced control – Continuous volume flow $\dot{V}_{\max}$
Red	0.5 s	0.5 s	Fault input/output or component: <ul style="list-style-type: none"> <li>• Flow sensor <ul style="list-style-type: none"> <li>– Wrong direction of flow</li> <li>– Air in sensor</li> <li>– Sensor connection faulty</li> </ul> </li> <li>• Temperature sensors <ul style="list-style-type: none"> <li>– Damaged cable</li> <li>– Short circuit</li> </ul> </li> <li>• Actuator <ul style="list-style-type: none"> <li>– Blocked</li> <li>– Faulty connection</li> </ul> </li> <li>• Setpoint input terminal <ul style="list-style-type: none"> <li>– Faulty connection</li> <li>– Invalid signal</li> </ul> </li> </ul>
			2 s / 5 Hz
		Continuous	-
Orange	0.5 s	0.5 s	Reset to factory settings being prepared
	0.1 s	0.1 s	Reset to factory settings is triggered
-	-	-	Undervoltage

1)





Communication LED			
Color	Blinking pattern		Description
	On	Off	
-	-	-	<ul style="list-style-type: none"> <li>No communication</li> <li>Ethernet cable unplugged</li> <li>Device starting up</li> </ul>
Blue	0.5 s	0.5 s	WLAN enabled
	Continuous	-	WLAN data transmission
Green	0.5 s	0.5 s	TCP/IP communications error – IP address not available
	Continuous	-	TCP/IP data transmission <sup>1)</sup>
Purple	0.5 s	0.5 s	TCP/IP data transmission with Siemens Building Operator (Cloud)
Orange	Continuous	-	Modbus connected and configured – no data transmission via EIA-485
	0.5 s	0.5 s	Active communication via EIA-485
	0.5 s	0.5 s	Reset to factory settings being prepared <sup>2)</sup>
	0.1 s	0.1 s	Reset to factory settings is triggered

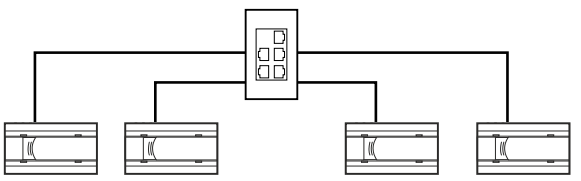
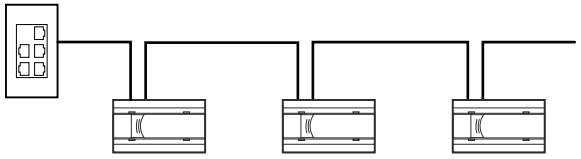
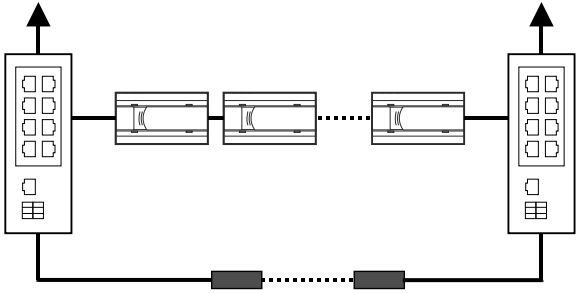
<sup>1)</sup> With a daisy chain layout, it is only possible to check if a neighbour device is connected – the chain to the switch/router is not ensured and may even be broken.

<sup>2)</sup> Applies only if SVC LED also flashes synchronously.

## Network integration BACnet IP

The Intelligent Valve can be integrated over TCP/IP in a BACnet IP network.

The device supports:

<ul style="list-style-type: none"> <li>Star topologies</li> </ul>	
<ul style="list-style-type: none"> <li>Line topologies (daisy chain)</li> </ul>	
<ul style="list-style-type: none"> <li>Ring topologies <ul style="list-style-type: none"> <li>Note here that network switches with "Rapid Spanning Tree Protocol (RSTP)" are used.</li> </ul> </li> </ul>	

In the case of a daisy chain, it is recommended not to use more than 10 devices per chain.

A complete list of supported BACnet data points is included in the document "Intelligent Valve – BACnet Objects" (Product documentation [→ 22]).

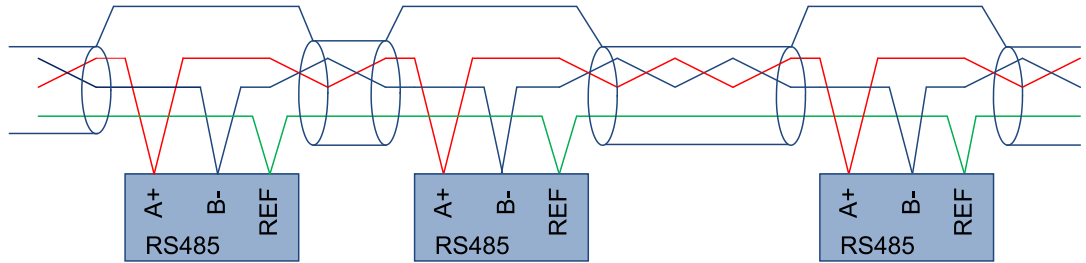
ABT Go app configures the network parameters (IP address, subsegment, etc.).

## Network integration Modbus RTU

The Intelligent Valve can be integrated over EIA-485 in a Modbus RTU network. Although the RS485 standard is simple and well-proven, important requirements and experience must be taken into account. This starts with the selection of the topology:

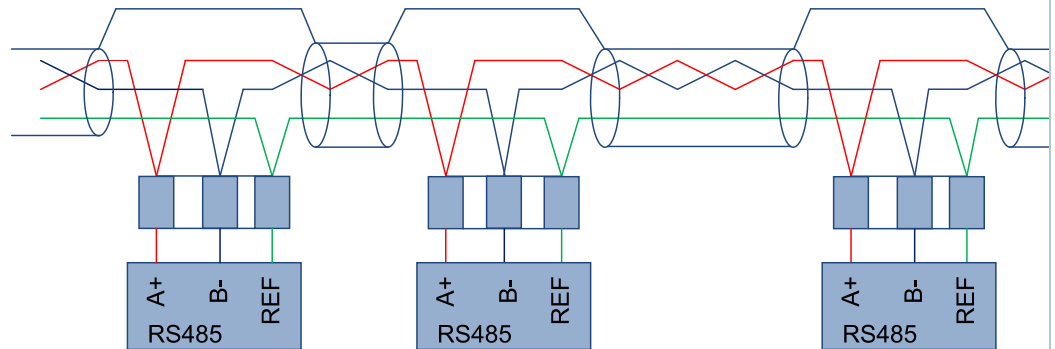
- Best: Individual line

- The best topology is a single line (line topology) with the bus cable connected directly to the individual devices (daisy chain). This type of connection has the fewest problems.



- Disadvantages of intermediate terminals

- Connecting network devices via intermediate terminals and stub lines opens complicated paths for reflections and harmonics to the electrical signals. It is obvious that long and non-twisted intermediate lines increase the risk of interference.



## Maintenance

Control valves EVF.. and EVG.. are maintenance free.


## Disposal



The device is considered an electronic device for disposal in terms of the European Directive and may not be disposed of as domestic waste.

- Use only designated channels for disposing the devices.
- Comply with all local and currently applicable laws and regulations.

**Intended use**

	<b>⚠ WARNING</b>
	<p><b>Intended use</b></p> <p>Improper use can result in injury as well as damage to the product or plant.</p> <ul style="list-style-type: none"><li>● Siemens product may only be used with user cases set forth in the catalog and associated technical documentation.</li><li>● User-related technical data are only guaranteed in connection with the products listed in this document. Siemens rejects any and all warranties in the event that third-party products are used.</li><li>● Trouble-free and safe product operation presupposes transport, storage, setup, mounting, installation, commissioning, operation, and servicing as intended.</li><li>● You must comply with permissible ambient conditions. Comply with all notes in the associated documentation.</li></ul>

**Exemption from liability**

The content of this document was reviewed to ensure it matches the hardware and firmware described herein. Nevertheless, differences may occur so that we are unable to fully guarantee a complete match. The information provided in this document is reviewed on a regular basis and any required corrections are added to the next edition. We always welcome suggestions on how to improve documentation.

**Directive on Radio Equipment**

The device uses a harmonized frequency in Europe and also meets the requirements under the Directive on Radio Equipment (2014/53/EU, previously 1999/5/EC).

**Software license overview**

These devices use Open Source Software (OSS); see the OSS document on the specific controller type and VVS.

All Open Source Software components used in the product (to include copyrights and licensing agreement) are available at <http://siemens.com/bt/download>.

Firmware version	OSS document		Controller
	Document ID	Title	
FW01.21.xxxxx	A6V14032035	Readme OSS "Intelligent Valve", V4.0	ASE4U10E
FW01.20.xxxxx	A6V13095123	Readme OSS "Intelligent Valve", V3.0	
FW01.19.xxxxx			
FW01.18.xxxxx	A6V12343374	Readme OSS "Intelligent Valve", V2.0	
FW01.17.xxxxx			
FW01.16.xxxxx	A6V11676101	Readme OSS "Intelligent Valve", V1.2	
FW01.15.xxxxx			
FW01.14.xxxxx			
FW01.13.xxxxx			

**Cyber security disclaimer**

---

Siemens provides a portfolio of products, solutions, systems and services that includes security functions that support the secure operation of plants, systems, machines and networks. In the field of Building Technologies, this includes building automation and control, fire safety, security management as well as physical security systems.

In order to protect plants, systems, machines and networks against cyber threats, it is necessary to implement – and continuously maintain – a holistic, state-of-the-art security concept. Siemens' portfolio only forms one element of such a concept.

You are responsible for preventing unauthorized access to your plants, systems, machines and networks which should only be connected to an enterprise network or the internet if and to the extent such a connection is necessary and only when appropriate security measures (e.g. firewalls and/or network segmentation) are in place. Additionally, Siemens' guidance on appropriate security measures should be taken into account. For additional information, please contact your Siemens sales representative or visit <https://www.siemens.com/global/en/home/company/topic-areas/future-of-manufacturing/industrial-security.html>.

Siemens' portfolio undergoes continuous development to make it more secure. Siemens strongly recommends that updates are applied as soon as they are available and that the latest versions are used. Use of versions that are no longer supported, and failure to apply the latest updates may increase your exposure to cyber threats. Siemens strongly recommends to comply with security advisories on the latest security threats, patches and other related measures, published, among others, under <https://www.siemens.com/cert/en/cert-security-advisories.htm>.

Dimensions and weight	
See Dimensions [→ 49]	

Power supply	EVG4U10E..	EVF4U20E.. DN65...80	EVF4U20E.. DN100...125	DN150
Operating voltage	AC 24 V ~ ±20 % (19.2...28.8 V ~) DC 24 V = ±20 % (19.2...28.8 V =)			AC 24 V ~ (19.2...24 V ~) DC 24 V = (19.2...28.8 V =)
Frequency	50 / 60 Hz			
Power consumption including connected field devices				
	Operation	5 W	6.25 W	8 W
	Normal position	2.7 W	3.5 W	3.5 W
	Sizing	8.5 VA	14 VA	16 VA
Power consumption ASE4U10E				
	Operation	3.5 W		
	Normal position	2 W		
	Sizing	6 VA (controller without actuator!)		
Internal fuse	Irreversible			
External fusing of supply line	<ul style="list-style-type: none"> <li>• Fuse slow 6...10 A</li> <li>• Circuit breaker: Max. 13 A, type B, C, D per EN 60898</li> <li>• Power source with current limitation of max. 10 A</li> </ul>			

Interfaces	
Ethernet	Plugs: 2 x RJ45, screened Interface type: 100BASE-TX, IEEE 802.3 compatible Bitrates: 10/100 Mbps, autosensing Protocol: BACnet over UDP/IP
USB (2.0)	Plug: Micro-B Data rate: 1.5 Mbps and 12 Mbps No galvanic isolation to ground
L-bus	Baud rate: 2.4 kBaud Bus power: 10 mA Short-circuit proof: protection against faulty wiring at max. AC 24 V

Modbus RTU interface	
Interface type	EIA-485, galvanically isolated
Baud rates	9600 / 19200 / 38400 / 57600 / 76800 / 115200
	Default 19200
Internal bus termination	120 Ω, switchable with ABT Go
Internal bus polarization	270 Ω / 270 Ω – NOT switchable!
Cabling (only inside building)	3-core cable
	Length Max. 1000 m (3300 ft)
	<b>NOTICE</b> The baud rate must be adapted to match the cable length.
Protection	Short-circuit proof: protection against faulty wiring at AC 24 V
Maximum number of devices (nodes) in bus segment	31

## Function data

Control valve		EVG4U10E..	EVF4U20E..	DN150
Nominal flow		See Type summary [→ 15]		
Adjustable flow as [%] of $V_{100}$		30...100 %		
Permissible media		Chilled and hot water, water with ethylene glycol ≤ 35 %		Chilled and hot water
Control accuracy	Water	±5 %		
	Water with ethylene glycol	±10 %		-
Minimum controllable flow		1 % of $V_{100}$		
Medium temperature	Water	1...120 °C		1...70 °C
	Water with ethylene glycol	1...90 °C		-
Operating pressure $p_s$		1600 kPa	See Type summary [→ 15]	
Differential pressure $\Delta p_{\max} / \Delta p_s$		See Type summary [→ 15]		
Flow characteristic curve (Control mode "Volume flow control")		Selectable (linear, <b>equal percentage</b> optimized in closing range with ngl 1...4, compensation for heat exchanger characteristic curve)		
Leakage rate		Waterproof per EN 60534-4 L/1, improved class 5	0...0.03 % of $k_{VS}$ value	
Mounting position		Upright to horizontal		Valve/actuator: upright to horizontal Flow sensor: vertical installation with upwards flow (recommended), or horizontal installation with terminal box upwards or downwards
Valve body		Brass	Cast iron	
Blank flange		-		
Valve stem, seat, ball		Brass	Stainless steel	
Stem sealing gland		EPDM		

Actuator	EVG4U10E..	EVF4U20E.. DN65...80	EVF4U20E.. DN100...125, DN150
	GLA161.9E/HR	SAX61.03/HR	SAV61.00/HR
Positioning time (at the specified nominal stroke)	90 s	30 s	120 s
Positioning force	-	800 N	1600 N
Nominal torque	10 Nm	-	
Nominal rotational angle	90°		
Nominal stroke	-	20 mm	40 mm

Flow measurement		EVG4U10E..	EVF4U20E..	DN150
Measuring principle		Ultrasonic		Electromagnetic
Ultrasonic volume flow measurement		Yes		
Measuring accuracy	Water	±2 % (25...100 % $V_{100}$ )		
	Water with ethylene glycol	±6 % (25...100 % $V_{100}$ ) <sup>1)</sup>		-
Minimum flow measurement		0.8 % of $V_{100}$		

Flow measurement		EVG4U10E..	EVF4U20E..	DN150
Material of measuring pipe	DN15...50	Brass	-	-
	DN65	-	Brass	-
	DN80		Nodular cast iron EN-GJS-500	
	DN100...125		Brass	
	DN150		-	
			Carbon steel ASTM A 105 with corrosion-resistant coating of category C4 or C5 per ISO 12944-2	

1) Verified with Antifrogen® N by Clariant.

Temperature measurement	EVG4U10E..	EVF4U20E.. DN150
Measuring accuracy absolute temperature	±0.6 °C at 20 °C ±0.8 °C at 60 °C (Pt1000 EN60751, class B)	
Measuring accuracy temperature difference	±0.2 K at ΔT = 20 K	
Resolution	0.085 °C	
Prototype test certificate Module B per MID	A0445/2112/2007	DE-06-MI004-PTB011
Permissible operating pressure for direct immersion sensor	PN 16	-
Housing for direct immersion sensor DS M10x1, Ø 5.2 x 26 mm, cable length 1.5 m	Stainless steel	-
Protective pocket G ½ B", Ø 6.2 x 92.5 mm for temperature sensors Ø 6 x 105 mm		
	Permissible operational pressure	PN 25
	Material	Brass Stainless steel

## Inputs

The inputs are protected against incorrect wiring AC/DC 24 V.

Setpoint signal input, analog (input X1) in control functions "Dynamic control valve" and "Dynamic control valve (changeover)"			
Type	Range (over range)	Resolution	Input resistance (R <sub>in</sub> )
AI 0...10 V	0...10 V (-1...11 V) DC 0...10 V = 0...100 %	1 mV	100 kΩ
AI 2...10 V	2...10 V (1...11 V) DC 2...10 V = 0...100 %	1 mV	100 kΩ
AI 4...20 mA	4...20 mA (0...20 mA) 4...20 mA = 0...100 %	2.3 μA	<460 Ω
Open connection: Negative voltage -3.1 V (line failure detection)			

<b>Setpoint signal input, analog (input X1)</b> in control function "Flow temperature controller"			
Type	Range (over range)	Resolution	Input resistance (R <sub>in</sub> )
AI 0...10 V	0... 10 V (-1...11V) DC 0... 10 V = 0... 100°C	1 mV	100 kΩ
AI 2...10 V	2...10 V (1...11 V) DC 2...10 V = 0...100 °C	1 mV	100 kΩ
AI 4...20 mA	4...20 mA (0...20 mA) 4...20 mA = 0...100 °C	2.3 μA	<460 Ω
Open connection: Negative voltage -3.1 V (line failure detection)			

<b>Signal input, analog (input X1)</b> in control function "Outside temperature-dependent flow temperature controller"			
Type	Range (over range)	Resolution	Input resistance (R <sub>in</sub> )
AI (LG-)Ni1000	-40...150 °C (-45...160 °C) -40...302 °F (-49...320 °F)	55 mK 0.099 °F	-
AI Pt1000 (385/EU)		85 mK (CIOR -50...400 °C) 0.153 °F	-
AI Ni1000 DIN		45 mK 0.081 °F	-
AI 0...10 V	0... 10 V (-1... 11 V) DC 0... 10 V = -50... 50°C	1 mV	100 kΩ

<b>Position feedback actuator, analog (Input U)</b>			
Type	Range (over range)	Resolution	Input resistance (R <sub>in</sub> )
AI 0...10 V	0...10 V (-1...11 V)	1 mV	100 kΩ
Open connection: Negative voltage -3.1 V (line failure detection)			

<b>Temperature measurement for power measurement, analog (Inputs B7, B26)</b>		
Type	Range (over range)	Resolution
AI Pt1000 (385/EU)	-40...150 °C (-45...160 °C) -40...302 °F (-49...320 °F)	85 mK 0.153 °F

<b>Temperature measurement, analog (Input X3)</b> in control functions "Flow temperature controller" and "Outside temperature-dependent flow temperature controller"		
Type	Range (over range)	Resolution
AI Pt1000 (385/EU)	-40...150 °C (-45...160 °C) -40...302 °F (-49...320 °F)	85 mK 0.153 °F
AI (LG-)Ni1000		55 mK 0.099 °F
AI Ni1000 DIN		45 mK 0.081 °F

<b>Voltage measurement, analog (Input X3)</b> in control functions "Differential pressure controller"		
Type	Range (over range)	Resolution
AI 0...10 V	0...10 V (-1...11 V)	1 mV
AI 0...10 V standard	0...100 % (-10...110 %)	1 mV
Open connection: Negative voltage -1.5 V, 8 μA (line failure detection)		



Flow measurement, digital (Input DU)	
Use only the flow sensors specified in the data sheet.	

Flow measurement, analog (Input X3) for DN150			
Type	Range (over range)	Resolution	Input (resistance (R <sub>in</sub> ))
AI 4...20 mA	4...20 mA (0...20 mA)	2.3 µA	<460 Ω
Use only the flow sensor specified in the data sheet.			

## Outputs

The outputs are protected against short circuiting and incorrect wiring AC/DC 24 V.

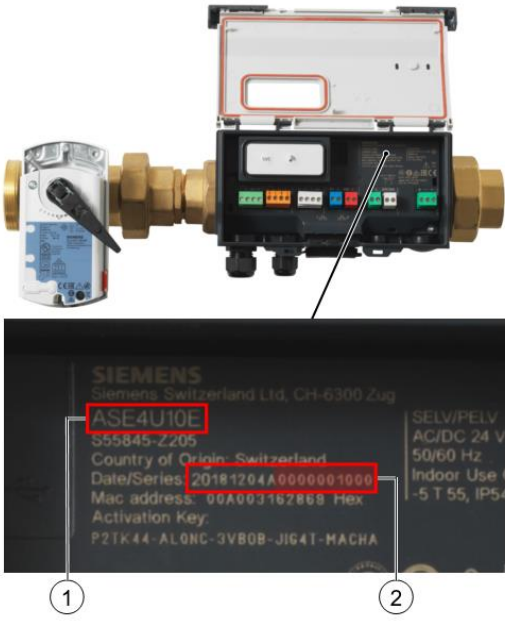
Position feedback, analog (output X2)			
Type	Range (over range)	Resolution	Output current / output impedance
AO 0-10 V	0...10 V (0...10.5 V)	11 mV	Max. 1 mA
AO 4...20 mA	4...20 mA (4...20 mA)	22 µA	<650 Ω

Signal output actuator, analog (Output Y)			
Type	Range (over range)	Resolution	Output current
AO 0-10 V	0...10 V (0...10.5 V)	11 mV	Max. 1 mA

Switching output relay Q1 (connection terminals Q13, Q14)	
Type	Relay
Switching voltage	AC 24 V / DC 30 V
Permissible load current	100 mA

Supply for field devices (outputs V ≈)	
Output voltage	AC / DC 24 V
Permissible load current	10 A
Protection against overload	None

WLAN interface	
Interface type	Wireless access point
Supported standards	IEEE 802.11b/g/n
Frequency band	2.4 GHz
WLAN channels	3
Transmission power	17 dBm
Distance (unobstructed field)	Min. 5 m (16 ft)
Device pairing	Activation/deactivation with service button Automatic switch off after 10 minutes if no WLAN client is connected.

WLAN interface											
Default SSID and WLAN password	SSID	<p>&lt;ASN&gt;_&lt;Series no.&gt;</p> <p>Example:</p>  <table border="1"> <tr> <td>[1]</td> <td>ASN</td> <td>ASE4U10E</td> </tr> <tr> <td>[2]</td> <td>Date / series letter / series no.</td> <td>20181204A0000001000</td> </tr> <tr> <td></td> <td>SSID</td> <td>ASE4U10E_0000001000</td> </tr> </table>	[1]	ASN	ASE4U10E	[2]	Date / series letter / series no.	20181204A0000001000		SSID	ASE4U10E_0000001000
	[1]	ASN	ASE4U10E								
[2]	Date / series letter / series no.	20181204A0000001000									
	SSID	ASE4U10E_0000001000									
Password		<p>12345678</p> <p>Password is preset and cannot be changed</p>									

## Conformity

Protection class		
Housing from vertical to horizontal (see Mounting [→ 27])		IP 54 as per EN 60529
Insulation class		As per EN 60730
	AC / DC 24 V	III

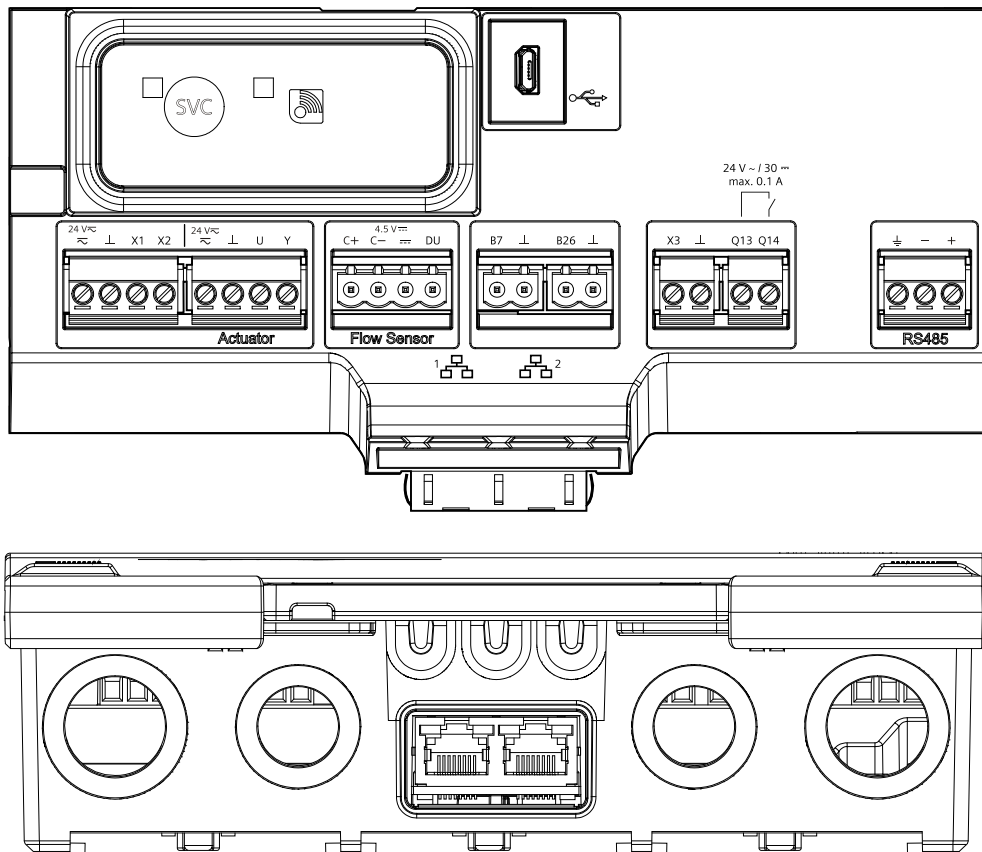
Ambient conditions		
Operation		as per EN 60721-3-3
	Climatic conditions	Class 3K5
	Mounting location	Indoors (weather-protected)
	Temperature (general)	-5...< 55 °C
	Humidity (non-condensing)	5...95 % r.h.
Transportation		as per EN 60721-3-2
	Climatic conditions	Class 2K3
	Temperature	-25...70 °C
	Humidity	< 95% r.h.
Storage		Per IEC 60721-3-1
	Climatic conditions	Class 1K5
	Temperature	-5...55 °C
	Humidity	5...95 % r.h.
Max. media temperature when mounted on valve		120 °C

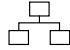

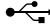



Directives, standards and approvals		
Product standards		EN 60730-x
Electromagnetic compatibility (field of use)		For residential, commercial, and industrial environments
EU conformity (CE)		
	EVG.. / EVF..	A6V11692721 <sup>1)</sup>
	ASE4U10E	A6V11664685 <sup>1)</sup>
	AVG4E../ AVF4E..	A6V11692707 <sup>1)</sup>
	GLA161.9E/HR	A6V101082021 <sup>1)</sup>
	SAV61.00/HR	A6V10455624 <sup>1)</sup>
	SAX61.03/HR	A6V10321559 <sup>1)</sup>
	EZU10-..	A6V11692688 <sup>1)</sup>
RCM Conformity		
	EVG.. / EVF..	A6V11694334 <sup>1)</sup>
	ASE4U10E	A6V11692702 <sup>1)</sup>
	AVG4E../ AVF4E..	A6V11692730 <sup>1)</sup>
	GLA161.9E/HR	A6V101082027 <sup>1)</sup>
	SAV61.00/HR	A6V10455626 <sup>1)</sup>
	SAX61.03/HR	A6V10402431 <sup>1)</sup>
EAC compliance		Eurasian compliance for all EVG../EVF..
WiFi		
	China	CMIIT ID 2020 DJ 3810
	Korea	KC R-R-S7M-ASE4U10E
	Singapore	Complies with IMDA Standards DB01752

Environmental compatibility		
The product environmental declarations below contain data on environmentally compatible product design and assessments (RoHS compliance, material composition, packaging, environmental benefit, and disposal).		
	ASE4U10E	A6V11684717 <sup>1)</sup>
	AVG4E..	A6V11654066 <sup>1)</sup>
	AVF4E..	A6V11654064 <sup>1)</sup>
	ALF4E..	A6V11654081 <sup>1)</sup>
	EZU10-..	A6V11684742 <sup>1)</sup>
	GLA161.9E/HR	A6V101033533 <sup>1)</sup>
	SAV61.00/HR	A6V10450170 <sup>1)</sup>
	SAX61.03/HR	A6V10691442 <sup>1)</sup>
	VVF42..KC	A6V10824366 <sup>1)</sup>
	EZT..	A6V11684744 <sup>1)</sup>
	EZU-WA, EZU-WB	A6V11654200 <sup>1)</sup>

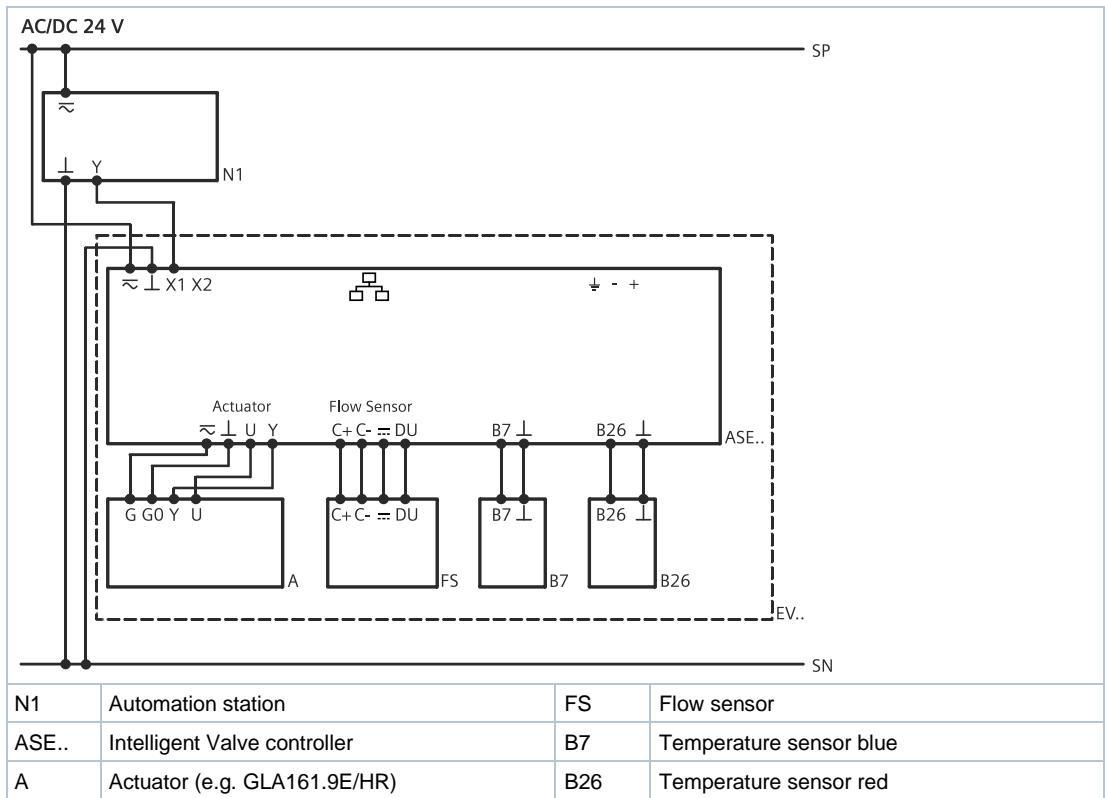
<sup>1)</sup> Documents can be downloaded at <http://www.siemens.com/bt/download>

Connection terminals

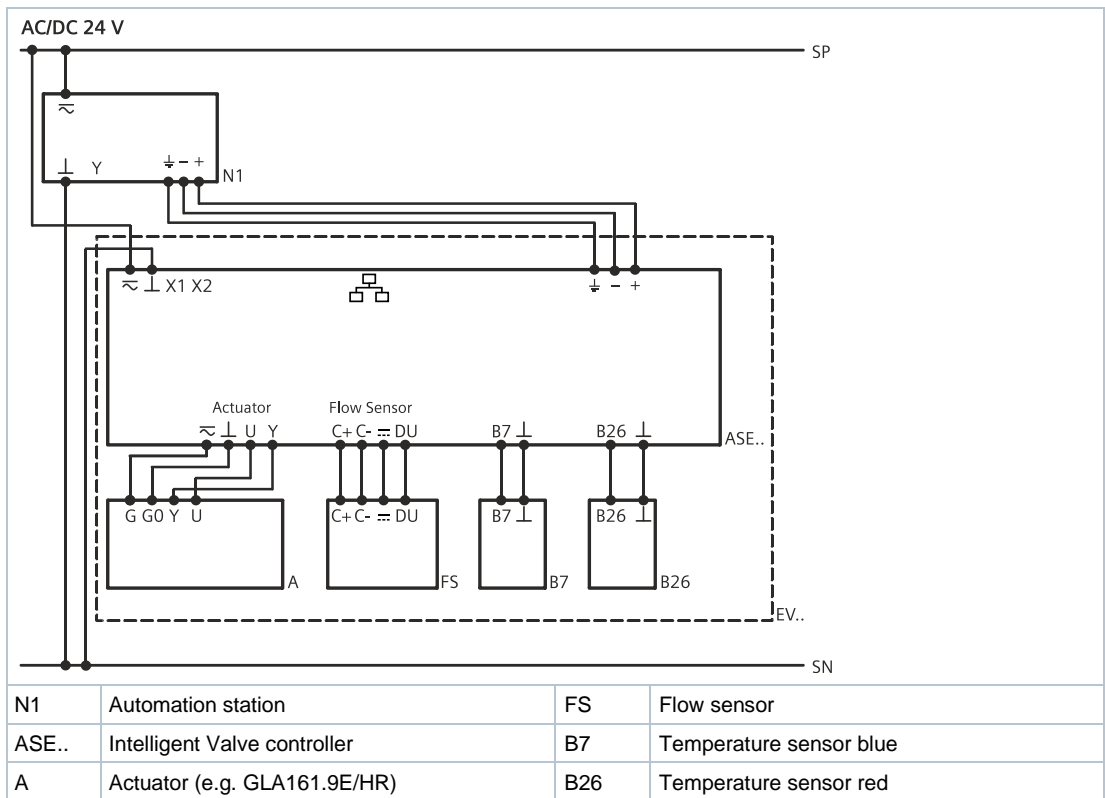


Connecting thread	Description	Terminal
1, 2 Ethernet	2 x RJ45 interface for 2-port Ethernet switch	
	Power SELV/PELV AC/DC 24 V	
	System zero	⊥
	Setpoint input Intelligent Valve: DC 0/2...10 V; 4...20 mA (Passive or active temperature sensor in the control function "Outside temperature-dependent flow temperature controller")	X1
	Actual value output Intelligent Valve: DC 0/2...10 V; 4...20 mA	X2
USB	USB interface	
Actuator	Field supply AC 24 V for actuator	
	System zero	⊥
	Position feedback actuator DC 0...10 V	U
	Positioning signal actuator DC 0...10 V	Y
Flow sensor	L-bus potential	C+
	L-bus neutral (Galvanically insulated)	C-
	Power flow sensor (DC 4.5 V)	==
	Pulse input	DU
Inputs analog	Passive temperature input	B7
	System zero	⊥
	Passive temperature input	B26
	System zero	⊥
	Universal input (DC 0...10 V / passive temperature sensor input)	X3
	System zero	⊥
Outputs	Switching output AC 24 V; DC 30 V; 0,1 A	Q13
		Q14
RS485	EIA-485 interface (Modbus RTU) Supported from software version 1.18.xxxxx	
		-
		+
Service	Service button	SVC
Display	Operation LED	
Com/WLAN	WLAN button	
Display	Communication LED	

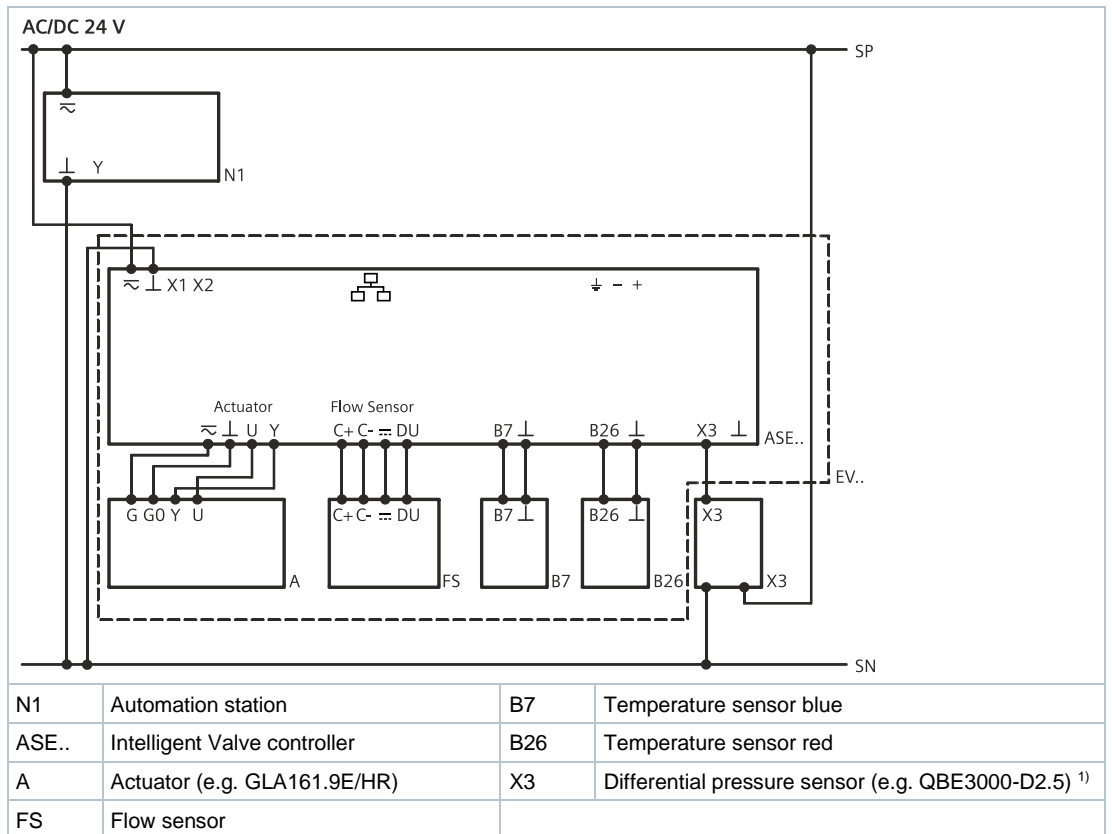
**For the control functions “Dynamic control valve” and “Dynamic control valve (changeover)” – Setpoint source terminal**



**For the control functions “Dynamic control valve” and “Dynamic control valve (changeover)” – Setpoint source Modbus**

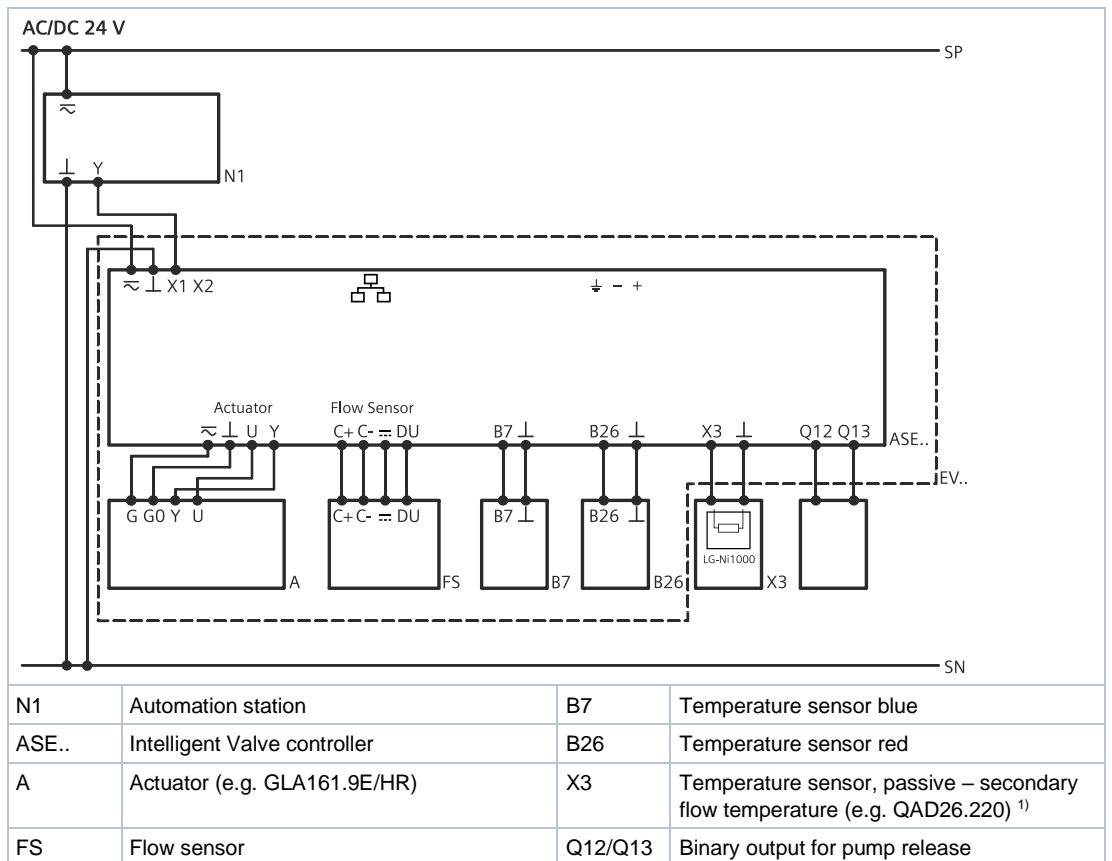


### For the control function “Differential pressure controller” – Setpoint internal



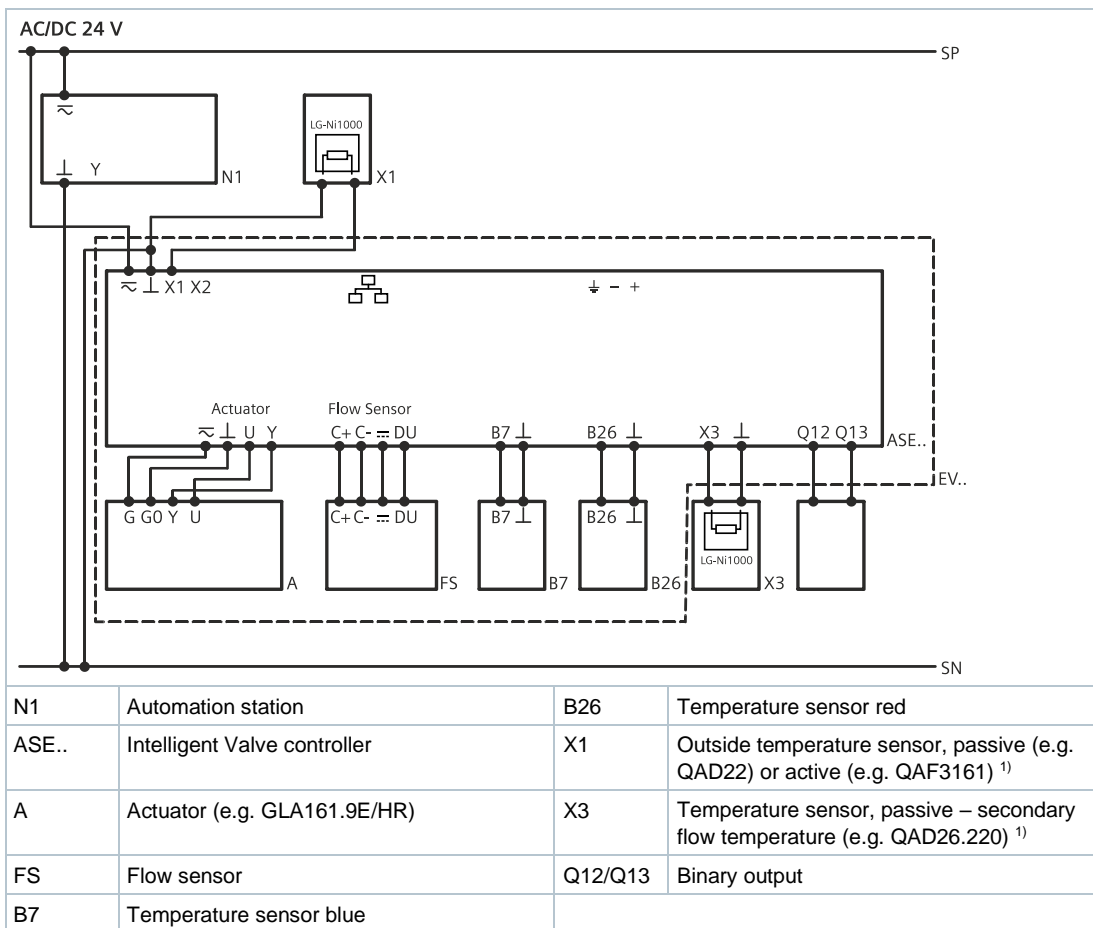
<sup>1)</sup> Temperature sensors are not included; they have to be ordered separately.

### For the control function “Flow temperature controller” – Setpoint source terminal



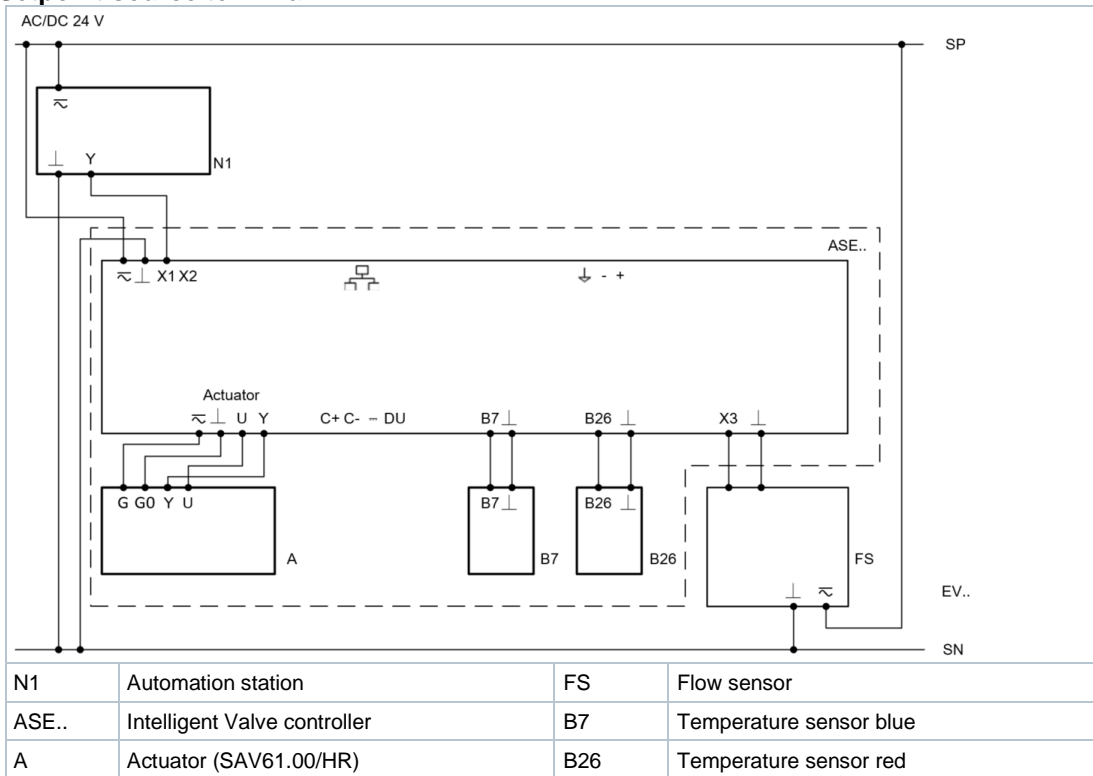
<sup>1)</sup> Temperature sensors are not included; they have to be ordered separately.

**For the control function “Outside temperature-dependent flow temperature controller”**



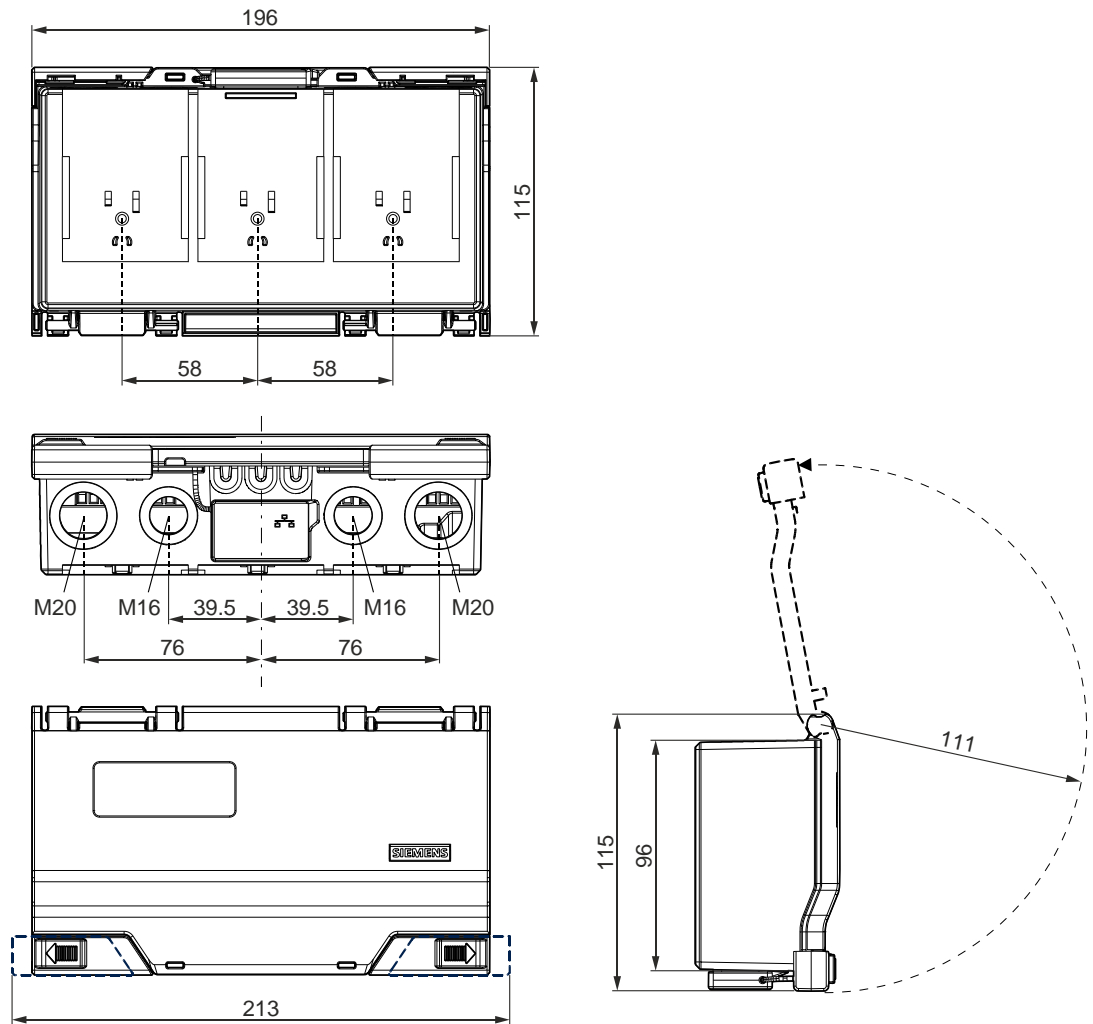
<sup>1)</sup> Temperature sensors are not included; they have to be ordered separately.

**Connection diagram for DN150: For the control function “Dynamic control valve” – Setpoint source terminal**





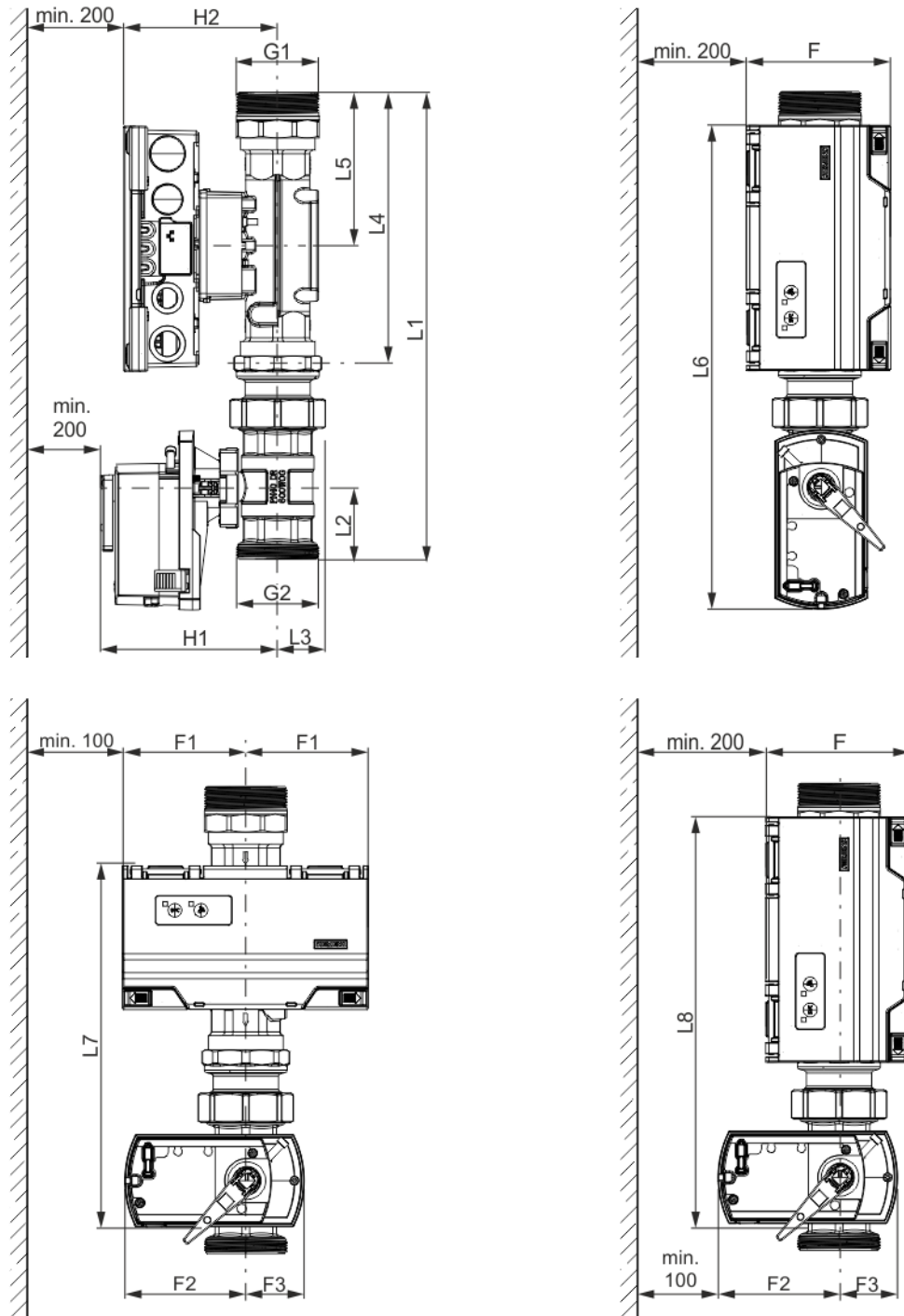
Intelligent Valve controller, ASE4U10E



Dimensions in mm

kg
0.5

Threaded, EVG4U10E..



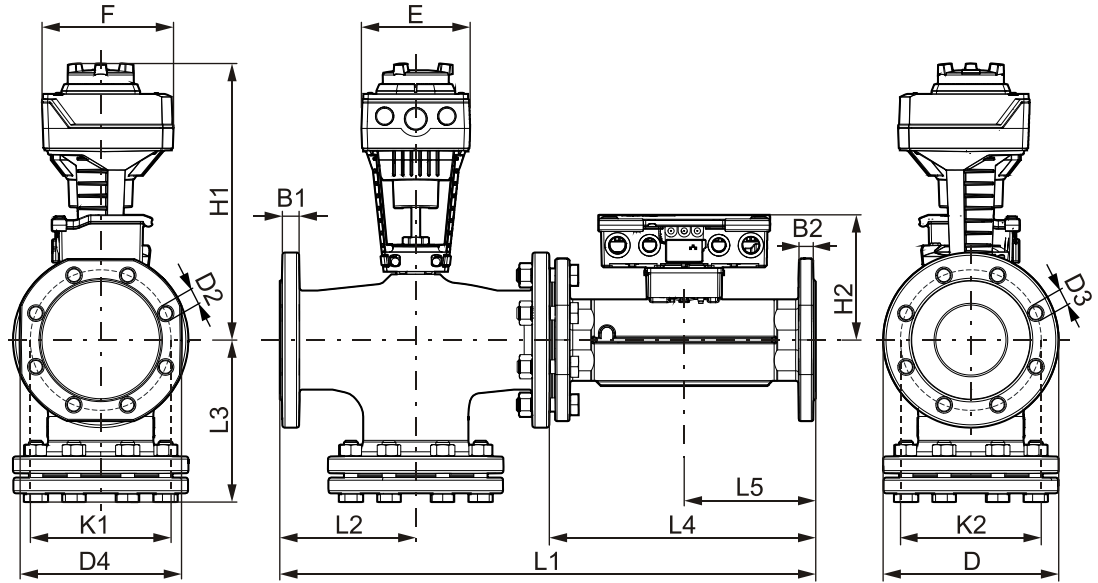
Dimensions in mm

Valve type	F	F1	F2	F3	G1	G2	H1	H2	L1	L2	L3	L4	L5	L6	L7	L8	kg
EVG4U10E015	115	98	98	46	G 1 B	130	110	225	43.5	20.5	110	63.5	371.5	213	311	2.5	
EVG4U10E020					G 1 ¼ B	130	112	252.5	45	25	130	74	387	228	268.5	2.9	
EVG4U10E025					G 1 ½ B	132,5	116	263	45	28	142.5	75	338.5	237.5	278	3.4	
EVG4U10E032					G 2 B	136	116	244	50	35.5	145	74	373.5	214.5	313	3.7	
EVG4U10E040					G 2 ½ B	142	123	366	58.05	38	208	114	389	288	328.5	5.8	
EVG4U10E050					G 2 ¾ B	155	123	350	62.5	48	225	116.5	366	265.5	306	6.8	

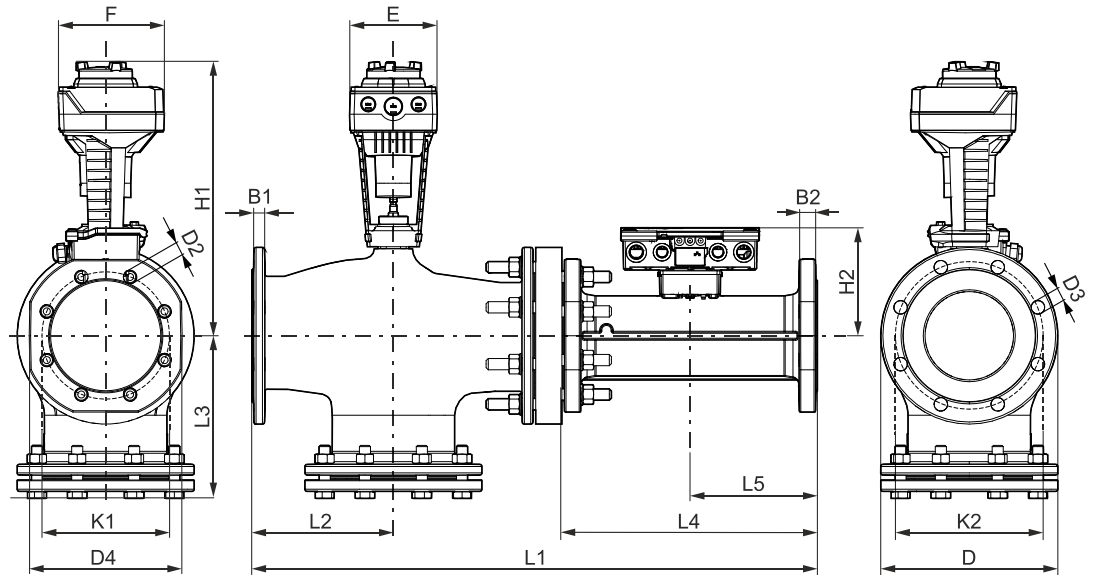
1) Arrangement not possible

Flanged, EVF4U20E..

DN65...100



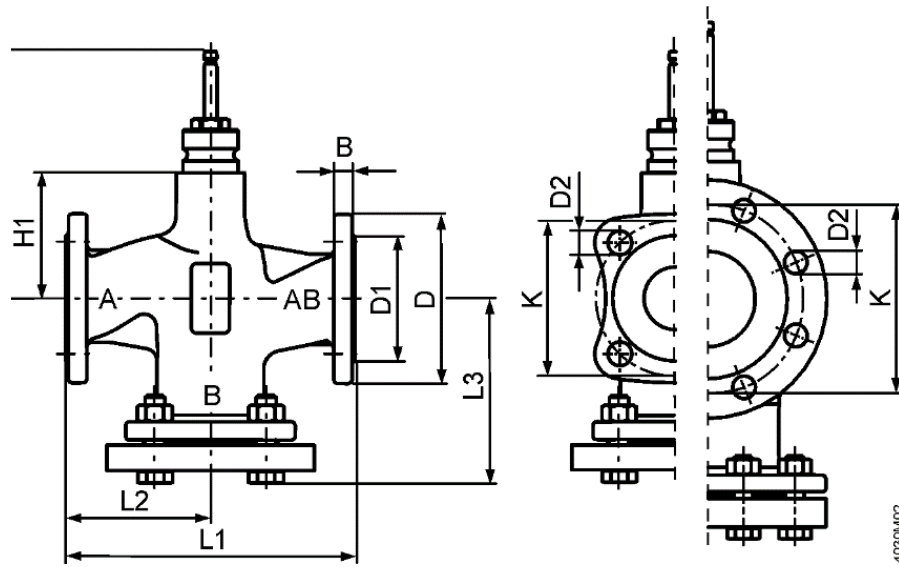
DN125



Dimensions in mm

Valve type	B1	B2	D	D2	D3	D4	E	F	H1	H2	K1	K2	L1	L2	L3	L4	L5	kg
EVF4U20E065	17	19	184	18 (4x)	19 (4x)	170	124	150	316	136	145	145	591	145	174	300	150	30.3
EVF4U20E080	19	18	200	19 (8x)	19 (8x)	185				143	160	160	611	155	186			
EVF4U20E100	20	23	220	19 (8x)		216			375	154	180	180	711	175	206	360	180	61.6
EVF4U20E125	15		250		210					800	200	228	81.6					

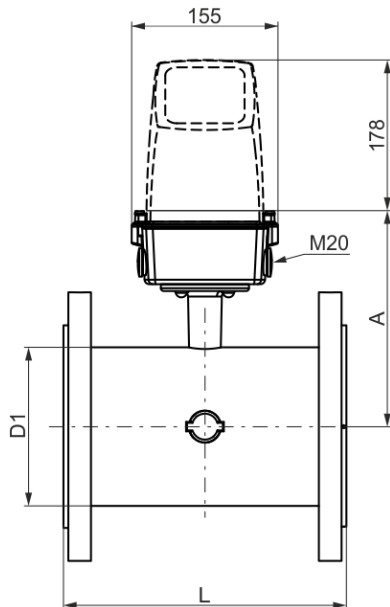
### Flanged 2-way valve, VVF42.150KC



Dimensions in mm

Valve type	B	øD	øD1	øD2	L1	L2	L3	øK	H1	H2	kg
EVG4U10E015	15	284	211	23 (8x)	480	240	272.5	240	150.5	267	65

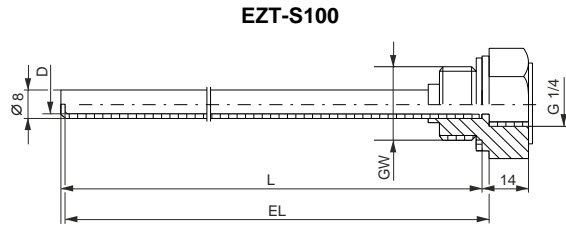
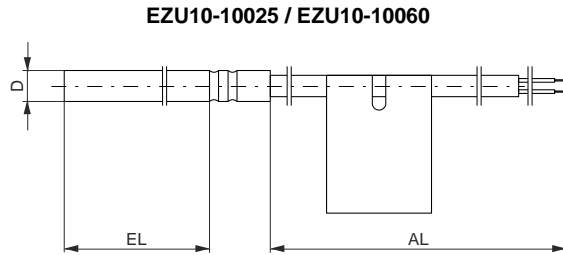
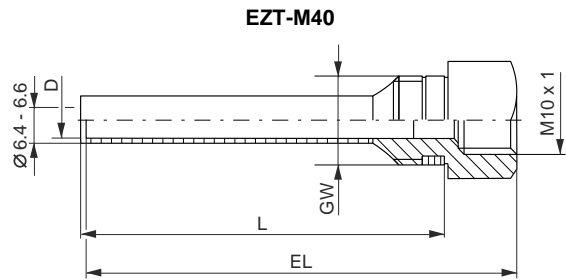
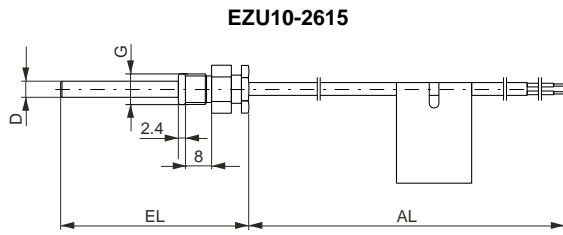
### Flanged flow sensor and Transmitter, SITRANS FM MAG 5100 W + MAG 5000



Dimensions in mm

Type	DN	A	D1	L	kg
SITRANS FM MAG 5100 W + MAG 5000	150	232	168	300	26.8

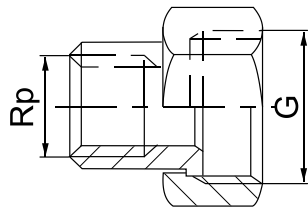
## Temperature sensors EZU..., protective pockets EZT..



Dimensions in mm

Temperature sensors					Protective pockets					
Type	D	EL	G	AL	Type	D	EL	L	GW	SW
EZU10-2615	5.2	26.5	M10x1	1500	EZT-M40	5.2	50	40	G ¼	17
EZU10-10025	6	92.5	-	2500	EZT-S100	6.2	100	92.5	G ½	27
EZU10-10060				6000						

## Fittings



For 2-port valves EVG4U10E.. (2-piece set)		G	Rp
Type	Valve type	[inch]	
ALG152 / ALG152B	EVG4U10E015	G 1 B	Rp ½
ALG202 / ALG202B	EVG4U10E020	G 1 ¼ B	Rp ¾
ALG252 / ALG252B	EVG4U10E025	G 1 ½ B	Rp 1
ALG322 / ALG322B	EVG4U10E032	G 2 B	Rp 1 ¼
ALG402 / ALG402B	EVG4U10E040	G 2 ¼ B	Rp 1 ½
ALG502 / ALG502B	EVG4U10E050	G 2 ¾ B	Rp 2

- Valves side with cylindrical threading per ISO 228-1
- Pipe side with cylindrical threading per ISO 7-1
- ALG..B fittings up to 100 °C medium temperature

## Revision numbers

Type	Valid from rev. no.	Type	Valid from rev. no.
EVG4U10E015 S55300-M100	..B	EVF4U20E065 S55300-M106	..A
EVG4U10E020 S55300-M101	..B	EVF4U20E080 S55300-M107	..A
EVG4U10E025 S55300-M102	..B	EVF4U20E100 S55300-M108	..A
EVG4U10E032 S55300-M103	..B	EVF4U20E125 S55300-M109	..A
EVG4U10E040 S55300-M104	..B		
EVG4U10E050 S55300-M105	..B		

<b>Model info</b>	ASN=ASE4U10E; HW=2.2.0
<b>Firmware revision</b>	09.54.14.06; APP=1.21.9726; SVS-300.6.SBC=15.00; ISC=01.00
<b>Application software version</b>	AAS-20:SU=SiUn; APT=HvacFnct34; APTV=2.407