



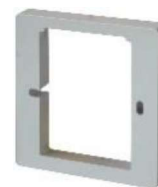
ARG70



ARG70.1



ARG70.2



ARG70.3



ARG71
S55770-T137



ARG86.3



ARG101

Accessories for Room thermostats

ARG70..
ARG71
ARG86..
ARG101

For thermostats RAA, RAB, RCC, RCU, RDU, RDF, RDZ

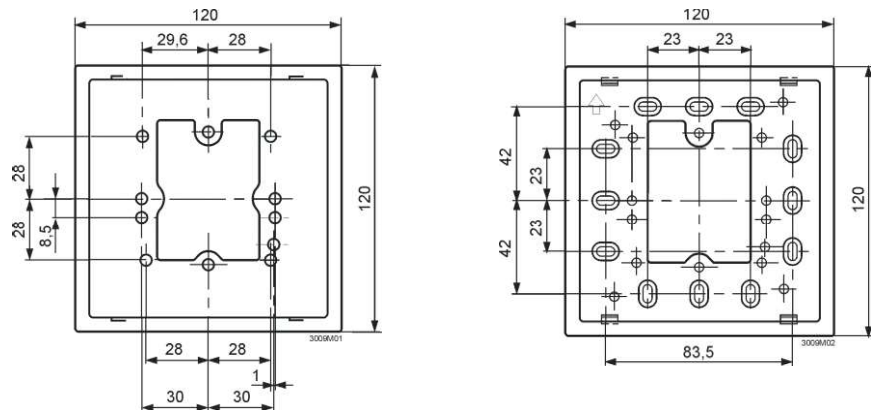
- Adapter plate for mounting onto conduit boxes
- Adapter-plate for surface run wiring
- Mounting bracket 10mm for RDF semi-flush-mount thermostats
- Conduit box with fixing center 60.3mm, for RDF semi-flush-mount thermostats
- Mounting kit for heat-cool changeover temperature sensor

Type summary

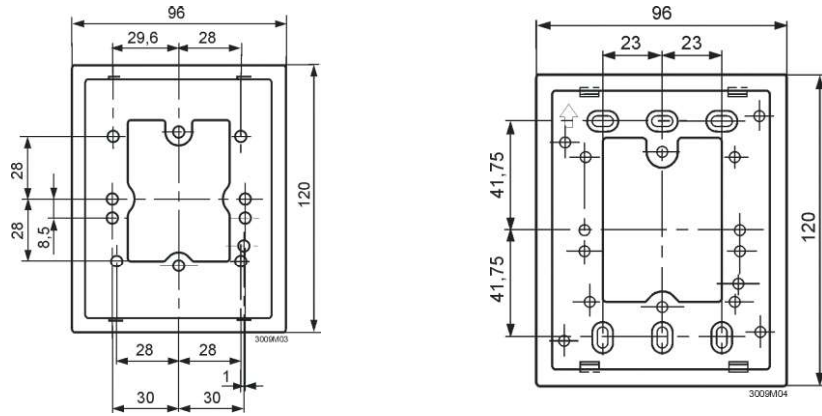
Type reference	Description	Used for	Dimensions (L x H x D)	Color
ARG70	Adapter plate for mounting onto conduit boxes (4" x 4"). Delivered with mounting screws	RAA, RAB, RCC, RCU	120 x 120 x 6 mm	RAL 9003
ARG70.1	Adapter plate for mounting onto conduit boxes (2" x 4"). Delivered with mounting screws	RAA, RAB, RCC, RCU	96 x 120 x 6 mm	RAL 9003
ARG70.2	Adapter-plate for surface run wiring. Delivered with mounting screws	RAA, RAB, RCC, RCU	112 x 130 x 10mm	RAL 9003
ARG70.3	Mounting bracket 10mm for RDF semi-flush-mount thermostats, for increasing the head-room in the conduit box.	RDF3xx, RDU3xx, RDF600...	82 x 82 x 10 mm	RAL 9003
ARG71 S55770-T137	Conduit box with fixing center 60.3mm, for RDF semi-flush-mount thermostats	RDF3xx-RDU3xx	75 x 75 x 51 mm	White
ARG86.3	Heat-cool changeover mounting kit for Temperature sensor (pipe mounting).	QAH11.1	36 x 12 mm	---
ARG101 S55772-T112	Italian adapter plate for RDZ100ZB and RDZ101ZB	RDZ100ZB RDZ101ZB	115 x 88 x 6.85 mm	RAL 9003

Dimensions (in mm)

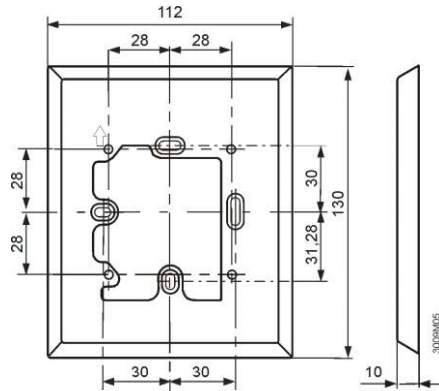
ARG70



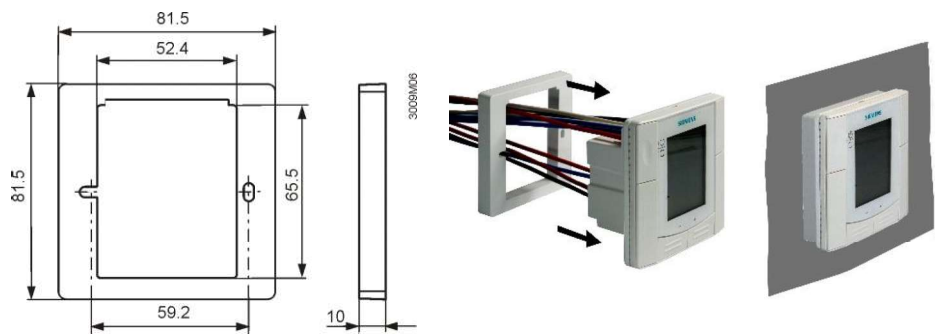
ARG70.1



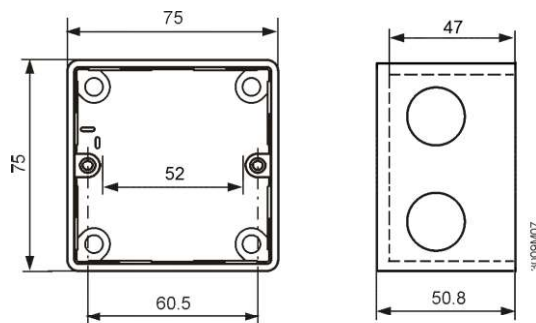
ARG70.2



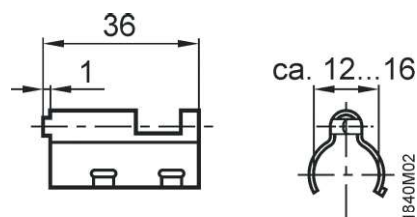
ARG70.3



ARG71
S55770-T137



ARG86.3



ARG101

