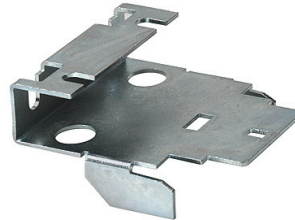


AQB21.1



AQB2000

Symaro™

## Mounting brackets

**AQB2000****AQB21.2**

---

Accessory for mounting QBM... series differential pressure sensors.

- For fast and easy mounting
- Suitable for various applications
- Adapter AQB21.2 for mounting pressure sensors on DIN top hat rails (snap-on mechanism)
- Mounting bracket AQB2000 for mounting the pressure sensor on insulated ducts

### Use

---

The mounting bracket **AQB2000** is used to mounting QBM series differential pressure sensors on insulated air ducts. The sensors are snap-on and can be easily and quickly mounted without tools.

Top hat rail adapter AQB21.2 is used to mount QBM series differential pressure sensors on DIN top hat rails 35 x 7.5

The sensor can be snapped on to the adapter.

## Type summary

---

<i>Type</i>	<i>Product designation</i>
<b>AQB2000</b>	Mounting bracket
<b>AQB21.2</b>	Top hat rail adapter for DIN top hat rails HT 35-7.5

## Ordering and delivery

---

Please indicate number (for AQB21.2 the number of sets), type, and product designation.

*Example:*

1 set top hat rail adapter AQB21.2 for DIN top hat rails HAT 35-7.5

The top hat rail adapters are delivered in sets of 5 each.

The mounting brackets are delivered individually.

AQB21.2 and AQB2000 are each supplied with mounting instructions.

## Equipment combinations

---

Mounting aids AQB...can be used with all QBM...differential pressure sensors. Specifically, types QBM2.../ QBM3.. as well as certified QBM4...

Using the adapter **AQB21.2**, you can mount these differential pressure sensors on DIN top hat rails, type HAT 35-7.5.

Mounting bracket **AQB2000** is used on insulated air ducts allowing differential pressure sensors to be mounted on insulated air ducts with an insulation strength of up to 40 mm.

## Mounting notes

---

**AQB2000** The device can be snapped on to the mounting bracket and unsnapped by pulling it.

The mounting bracket is supplied with mounting instructions M1590x.

**AQB21.2** Adapter and differential pressure sensors can be mounting on DIN top hat rails without tools.

The adapter is supplied with mounting instructions (CE1M1910xx).

See Application examples below.

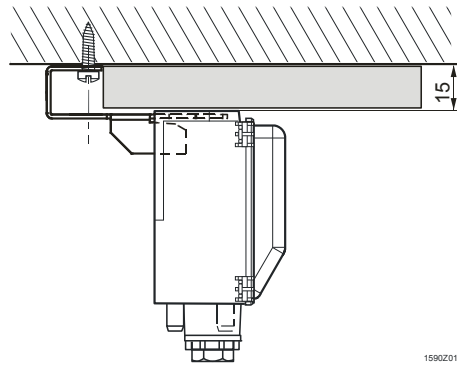
## Technical data

---

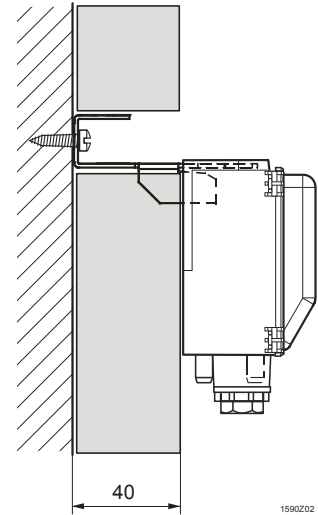
	<b>AQB21.2</b>	<b>AQB2000</b>
Material	Polyamide 66	Steel, zinc-plated
Weight, with packaging	12 g	64 g
Scope of delivery	5 pieces	1 piece

## Application examples

### AQB2000

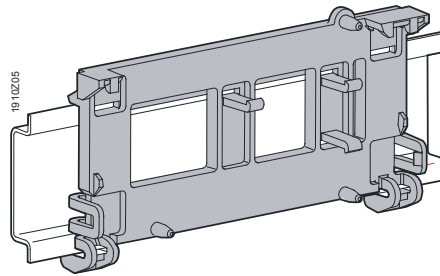


1590Z01



1590Z02

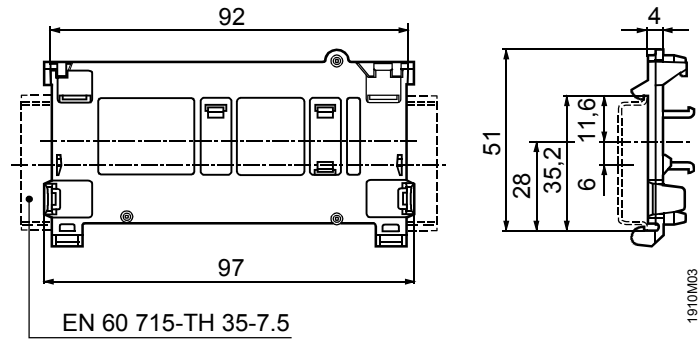
### AQB21.2



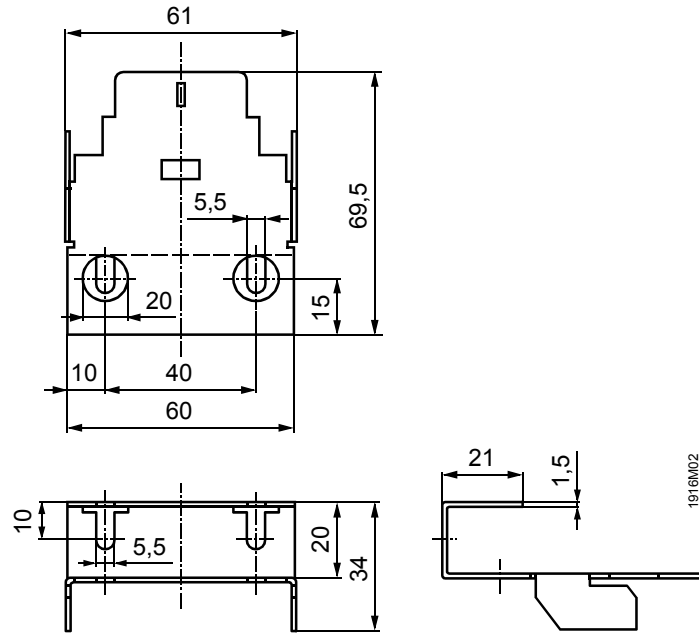
19.10205

## Dimensions

### Top hat rail adapter AQB21.2



### Mounting bracket AQB2000



Dimensions in mm