



AQM63.0

1193P09



ALT-AB200

1193P08



ALT-C001

1193P07



AQM63.2/3

1193P11



FK-TZ1

1193P11

Accessories and Spare Parts

For thermostats RAK-..., RAZ-... and sensors

ALT-A...
ALT-C...
AQM63.2/3
FK-TZ1

- Perforated protection pocket for air duct mounting
- Mounting kit
- Adjustable mounting flange
- Plastic Capillary clamps
- Metal Capillary clamps

Type summary

Type reference	Name	Use	Material	Immersion length [mm]	Inner dia. of pocket [mm]	Weight [kg]
ALT-AB200	Protection pocket, perforated, with coupling spring	Air duct mounting	Steel, galvanized	240	15	0.125

Type reference	Name	Contents	Use	Material	Weight [kg]
ALT-C001	Mounting kit	1 spring 100 mm	For fixing the sensing element inside the perforated protection pocket (to prevent noise caused by vibrations)	Steel	0.034
		1 clamping band 330 mm	For fitting the RAK to pipes	Steel, galvanized	
		4 clamps	Wall mounting: For securing the sensing element inside the protection pocket	Steel	
AQM63.0	Mounting accessories	1 mounting flange, adjustable	Suited for air ducts with up to 70 mm insulation	PA66GF35	0.038

Type reference	Name	Measure [mm]	Use	Material	Weight [kg]
AQM63.3	Capillary clamps made of plastic (1 Set includes 6 pcs)	L = 50 mm, H = 62 mm, D = 25 mm	For fixing capillary tube to the heat coil.	Plastic (Glass fiber reinforced)	0.05
AQM63.2	Capillary clamps made of plastic (1 Set includes 3 pcs) incl. 3 metal distance holder	L = 50 mm, H = 62 mm, D = 25 mm	For fixing capillary tube to the heat coil. Additional are 3 pieces of metal distance holder included.	Plastic (Glass fiber reinforced)	0.05
FK-TZ1	Capillary clamps made of galvanized steel (1 set includes 6 pcs)	L = 50 mm, H = 37 mm, D = 6 mm	For fixing capillary tube to the heat coil.	Steel galvanized	0.06

Disposal

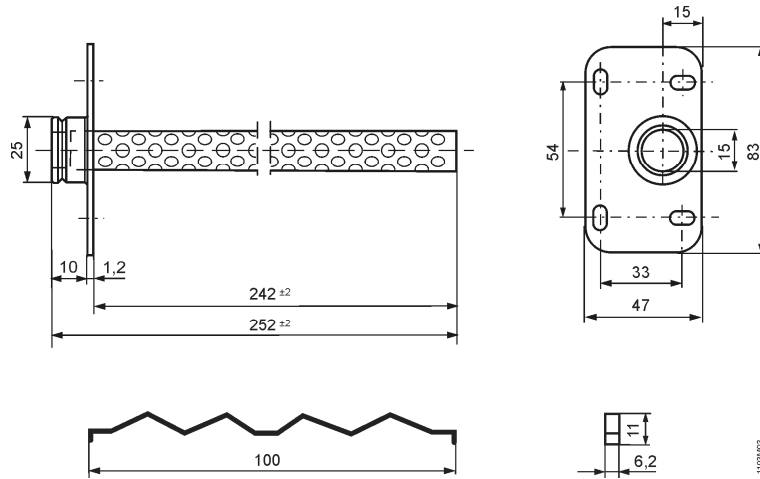


The device is considered electrical and electronic equipment for disposal in terms of the applicable European Directive and may not be disposed of as domestic garbage.

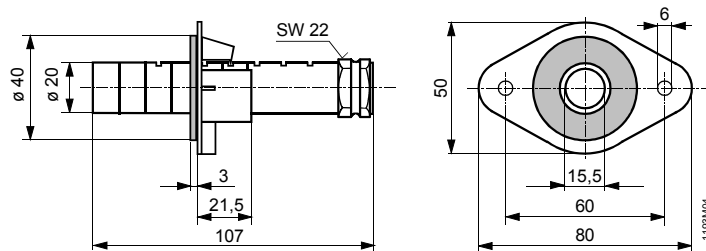
- Dispose of the device via the channels provided for this purpose.
- Comply with all local and currently applicable laws and regulations.

Dimensions (in mm)

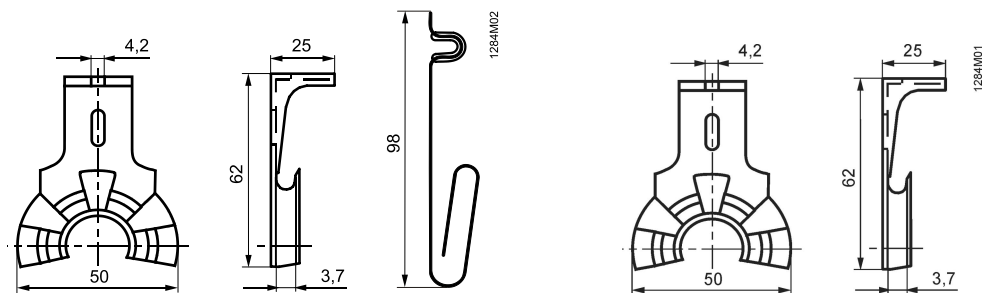
ALT-AB200



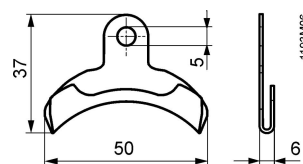
AQM63.0



AQM63.2 / AQM63.3



FK-TZ1



Published by:
Siemens Switzerland Ltd.
Building Technologies Division
International Headquarters
Gubelstrasse 22
6301 Zug
Switzerland
Tel. +41 58-724 24 24
www.siemens.com/buildingtechnologies

© Siemens Switzerland Ltd 2005
Delivery and technical specifications subject to change