



FILLING GROUP
Attestation de Conformité Sanitaire

TECHNICAL DATASHEET

PN15

Nickel plated

403

Filling group EASYFILL

Operation

The filling group is recommended for all heating plants with closed circuit, where it maintains a constant fluid pressure inside the pipeline. The main feature is the piston operation with compensation chamber. The joint and the pipe union for the connection to the plant are internal (joint) and external (pipe union) threaded in compliance with the ISO 228/1 standard.

On the body there are two 1/4" G threads for the connection of a pressure gauge.



Technical features

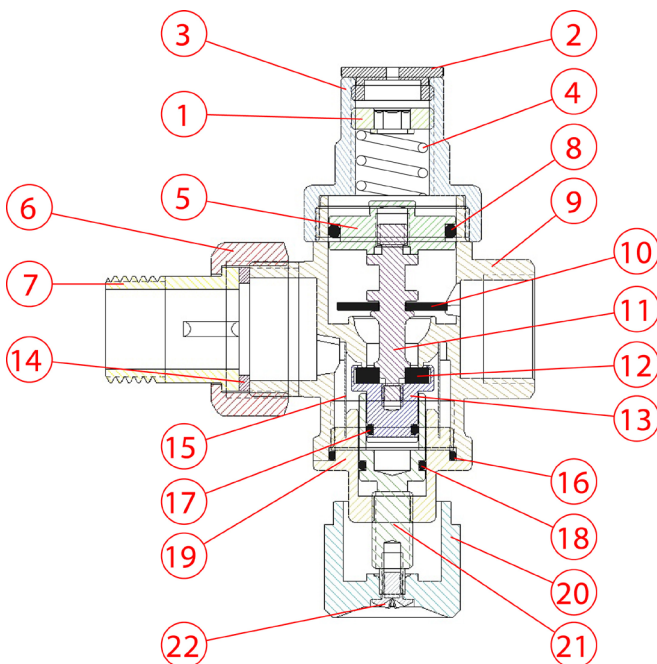
Available size: 1/2" G

Maximum recommended working pressure: 15 bar

Calibrate exit pressure: 1,5 bar

Outflow pressure adjustment field: from 0,2 to 7 bar

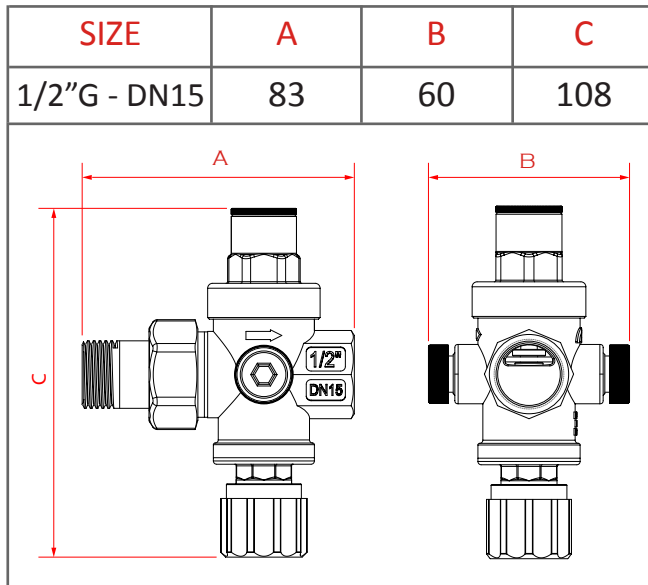
Maximum using temperature: 120°C (t. min 0°C ice not included)



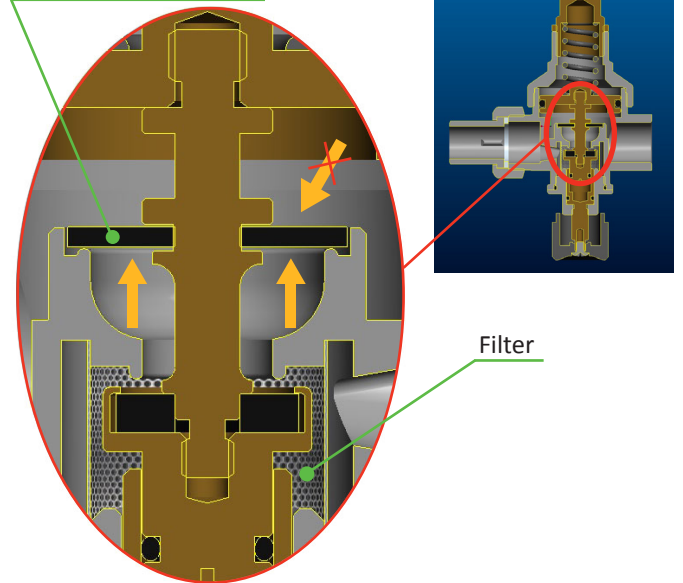
1 PUSH SPRING	CW 617N UNI EN 12165
2 UPPER STOPPER	CW 614N UNI EN 12164
3 CAP	CW 617N UNI EN 12165
4 SPRING	AISI 302
5 DISK	CW 614N UNI EN 12164
6 NUT FOR TANG	CW 617N UNI EN 12165
7 TANG	CW 617N UNI EN 12165
8 O-RING	EPDM
9 BODY	CW 617N UNI EN 12165
10 MEMBRANE	EPDM
11 ROD	CW 614N UNI EN 12164
12 GASKET	EPDM
13 VALVE	CW 614N UNI EN 12164
14 GASKET	FASIT 202
15 FILTER	AISI 304
16 O-RING	EPDM
17 O-RING	EPDM
18 O-RING	EPDM
19 LOWER STOPPER	CW 617N UNI EN 12165
20 HANDLE	ABS
21 THREADED ROD	CW 614N UNI EN 12164
22 SCREW	CW 614N UNI EN 12164



Dimensions and operating system



Membrane - non-return system

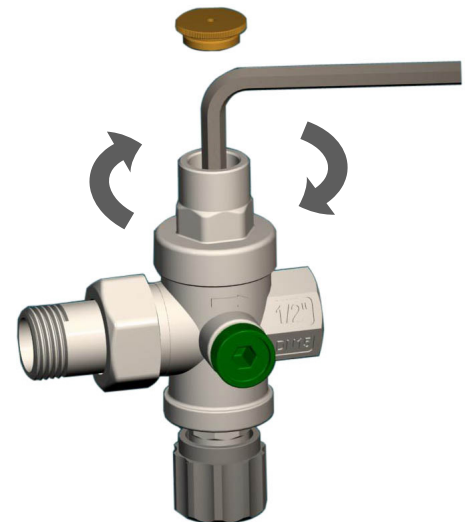


EASYFILL filling group, like a pressure reducing valve, bases its operation on the balance of two opposing forces. Inlet pressure, that helps to stop the water passage keeping the valve in closed position, is in opposition with the spring that helps to open the water passage.

Furthermore EASYFILL, has got inside a filter and a membrane which acts as a non-return system. On the lower stopper, a handle is able to stop water filling, keeping the valve in closed position.

Installation

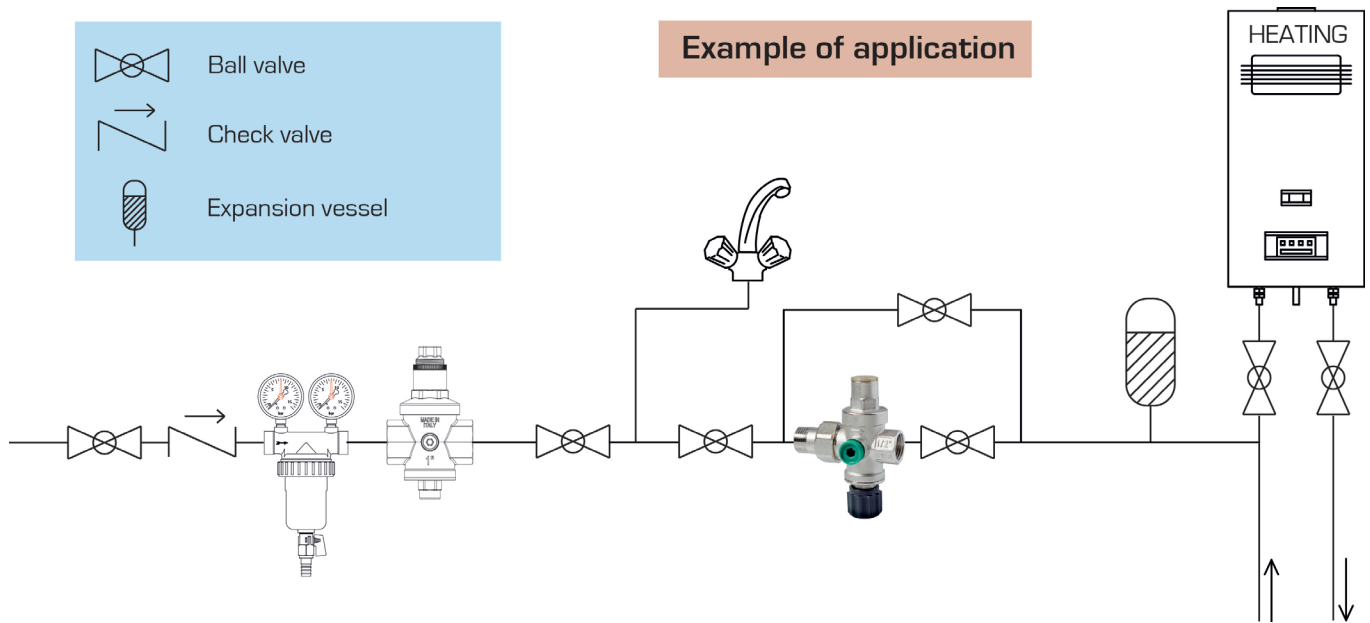
1. Normally EASYFILL is installed between two ball valves, to facilitate the installation procedures and future maintenance.
2. For a correct installation, follow the direction of the arrow printed on the body.
3. Close the shut-off valve downstream and start with calibration, by adjusting the push spring, screwing (turn clockwise) to increase outlet pressure or unscrew (turn counterclockwise) to decrease.



4. On the pressure gauge you can read the calibration value (outlet pressure).
5. When the filling water operation is finished, we suggest to clean the internal filter, by unscrewing the lower stopper.

NB: all F.A.R.G filling groups are tested and calibrated to an outlet pressure of 1,5 bar.

Installation tips



- Inlet pressure must be 1 bar more than calibrate outlet pressure.
- To absorb fluid volume changes due to heating water, is better to install an expansion vessel.
- We recommend to implement a “bypass” for speed up loading operation. For example, you could fill 2/3 of the plant via by-pass and the last part with EASYFILL, to allow air to be expelled trough special outlet.
- Do not load hydraulic plant via by-pass too much quickly because the quantity of water introduced in the circuit is proportional to the quantity of air vented.

Malfunction and suggestions

- Small impurities in the hydraulic plant, stopping on the seat, could influence the normal working of the filling group. Even if the valve is already equipped with a small internal filtering system, we suggest to install before the valve a filter.
- We recommend to clean occasionally the cylindrical stainless stell filter, situated inside the filling group

release 1 - Maggio 2016

F.A.R.G. srl

28045 Inverio - Novara - Italy
Via C. Battisti n°77

Tel. +39 0322 255193

Fax +39 0322 259487

www.farg.it - info@farg.it

Azienda certificata ISO 9001:2008

ISO 9001

BUREAU VERITAS
Certification



A.C.S.



made in Italy, made in F.A.R.G.