

Data Sheet

Pressure transmitter Type **MBS 5100** and **MBS 5150**

For marine applications



The ship approved high accuracy block pressure transmitter is designed for use in almost all marine applications. MBS 5150 with integrated pulse snubber is designed for use in marine applications with severe medium influences like cavitation, liquid hammer or pressure peaks and offers a reliable pressure measurement, even under harsh environmental conditions.

The transmitters can be easily mounted directly on the MBV 5000 block test valve or the threaded pressure connection can be used.

The flexible pressure transmitter programme covers a 4 – 20 mA output signal, absolute or gauge (relative) versions, measuring ranges from 0 – 4 to 0 – 400 bar.

Excellent vibration stability, robust construction, and a high degree of EMC / EMI protection equip the pressure transmitter to meet the most stringent marine requirements.

Features

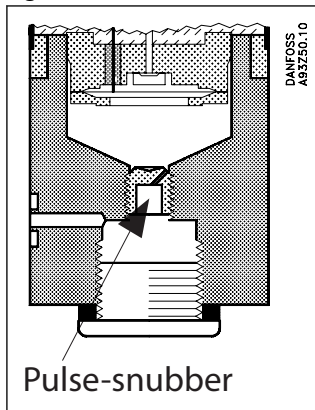
Features

- Designed for use in severe maritime environments
- MBS 5150 with integrated pulse-snubber is suitable in marine applications with severe medium influences like cavitation, liquid hammer or pressure peaks and offers a reliable pressure measurement, even under harsh environmental conditions
- Pressure connection of acid-resistant stainless steel (AISI 316L)
- Pressure ranges in relative (gauge) or absolute from 4 up to 400 bar
- Output signal: 4 – 20 mA
- A wide range of pressure connections
- Fully digitally compensated
- Accuracy 0.3% FS (max)
- UL approved
- Several Marine approvals

Application

Application and media conditions for MBS 5150

Figure 1: MBS 5150



Application

Cavitation, liquid hammer and pressure peaks may occur in hydraulic systems with changes in flow velocity, e.g. fast closing of a valve or pump starts and stops. The problem may occur on the inlet and outlet side, even at rather low operating pressures.

Media condition

Clogging of the nozzle may occur in liquids containing particles. Mounting the transmitter in an upright position minimizes the risk of clogging, because the flow in the nozzle is limited to the start-up period until the dead volume behind the nozzle orifice is filled. The media viscosity has only little effect on the response time. Even at a viscosities up to 100 cSt, the response time will not exceed 4 ms.

Product specification

Technical data

Table 1: Performance (EN 60770)

Description	Values
Accuracy (incl. non-linearity, hysteresis and repeatability)	≤ ± 0.1% FS (typ.)
	≤ ± 0.3% FS (max.)
Non-linearity BFSL (conformity)	≤ ± 0.2% FS
Hysteresis and repeatability	≤ ± 0.1% FS
Response time	Liquids with viscosity < 100 cSt
	Air and gases (MBS 5150)
Overload pressure (static)	< 4 ms
Burst pressure	< 35 ms
Power-up time	6 × FS (max. 1500 bar)
Durability, P: 10 – 90% FS	6 × FS (max. 2000 bar)
	< 50ms
	>10 × 10 ⁶ cycles


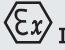
Table 2: Electrical specifications

Description	Values
Nom. output signal (short-circuit protected)	4 – 20 mA
Supply voltage [UB], polarity protected	9 – 32 V DC
Supply voltage dependency	≤ ± 0.1 % FS / 10 V
Current limitation (linear output signal up to 1.5 × rated range)	22.4 mA
Load [RL] (load connected to 0 V)	$RL \leq (U_B - 9 V) / 0.02 A [\Omega]$

Table 3: Environmental conditions

Description	Values
Sensor temperature range	Normal -40 – 85 °C
Media temperature range	-40 – 85 °C
Ambient temperature range (depending on electrical connection)	-40 – 85 °C
Compensated temperature range	0 – 80 °C
Transport / storage temperature range	-50 – 85 °C
EMC – Emission	EN 61000-6-3
EMC – Immunity	EN 61000-6-2
Insulation resistance	> 100 MΩ at 500 V
Mains frequency test	Based on SEN 361503
Vibration stability	Sinusoidal
	Random
Shock resistance	Shock
	Free fall
Enclosure (IP protection fulfilled together with mating connector)	IP65

Table 4: Explosive atmospheres

Zone 2 applications ⁽¹⁾	  II 3G Ex ce IIA T3 Gc -10°C < Ta < +85°C	EN60079-0, EN60079-7
------------------------------------	--	----------------------

⁽¹⁾ When used in ATEX Zone 2 areas at low temperatures the cable and plug must be protected against impact.

Pressure transmitter, Type MBS 5100 and MBS 5150

Table 5: Mechanical characteristics

Description		Values
Electrical connection		EN 175301-803-A plug
Electrical connection, material		Glass filled polyamide PA 6.6
Wetted parts, material	Versions without flange connection	EN 10088-1; 1.4404 (AISI 316L)
	Pressure connection	AISI 316L
	Plug	Nickel plated brass
	Plug gasket	W.no. 10388 Sn5
	O-ring for flange	NBR
Enclosure material		Anodized AlMgSiPb
Net weight		0.4 kg

Dimension

Table 6: Dimension

Plug Pg 13.5, EN 175301-803-A	Plug Pg 9 – 11, EN 175301-803-A

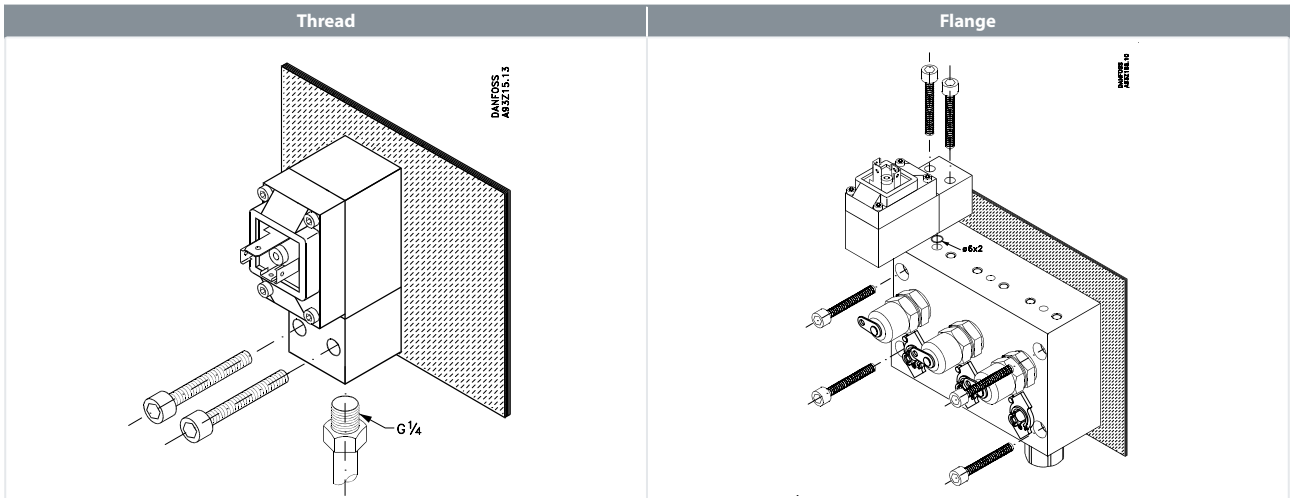
Electrical connections

Table 7: Electrical connections

Plug type, page 4	A6	A9	A1
	<p>EN 175301-803-A, Pg 11</p>	<p>175301-803-A, Pg 13.5</p>	<p>175301-803-A, Pg 9</p>
Electrical connection, 4 – 20 mA output (2 wire)	Pin 1: + supply Pin 2: ÷ supply Pin 3: Function test 40 – 200 mV Earth: Connected to MBS enclosure	Pin 1: + supply Pin 2: ÷ supply Pin 3: Function test 40 – 200 mV Earth: Connected to MBS enclosure	Pin 1: + supply Pin 2: ÷ supply Pin 3: Function test 40 – 200 mV Earth: Connected to MBS enclosure

Mechanical connection

Table 8: Mechanical connection



Certificates, declarations and approvals

The list contains all certificates, declarations, and approvals for this product type. Individual code number may have some or all of these approvals, and certain local approvals may not appear on the list.

Some approvals may change over time. You can check the most current status at danfoss.com or contact your local Danfoss representative if you have any questions.

Valid approvals

Table 9: valid approvals

File name	Document type	Document topic	Approval authority
BV 06094-F0 BV	Marine - Safety Certificate		BV
RMRS 18.10316.266	Marine - Safety Certificate		RMRS
DNV GL TAA000013G	Marine - Safety Certificate		DNV GL
RINA ELE071320XP-001	Marine - Safety Certificate		RINA
NKK TA18355M	Marine - Safety Certificate		NKK
LR 2010635TA	Marine - Safety Certificate		LR
ABS 15-LD1317840-PDA	Marine - Safety Certificate		ABS
KR DLN 34014-AE001	Marine - Safety Certificate		KR
CCS TJ18T00028	Marine - Safety Certificate		CCS
UL E227388	Explosive - Safety Certificate	Hazardous Locations	UL
UL E31024	Electrical - Safety Certificate		UL
UL E311982	Electrical - Safety Certificate		UL
GOST DK.C.30.018.A 31316	Measuring - Performance Certificate		GOST
EU Declaration Danfoss 060R9400.02	EU Declaration	EMCD/ROHS	Danfoss
060R3160.00	Manufacturers Declaration	China RoHS	Danfoss
BV SMS.W.II-2179-B.0	Marine - Manufacturing Permission		BV
UL E494625	Electrical - Safety Certificate		UL
CSA 1786330	Explosive - Safety Certificate		CSA
ABS 15-LD1309521-PDA	Marine - Safety Certificate		ABS
BV 06094-F0 BV	Marine - Safety Certificate		BV
TSSA CRN.0F18477.5123467890YTN	Pressure - Safety Certificate	CRN	TSSA

Online support

Danfoss offers a wide range of support along with our products, including digital product information, software, mobile apps, and expert guidance. See the possibilities below.

The Danfoss Product Store



The Danfoss Product Store is your one-stop shop for everything product related—no matter where you are in the world or what area of the cooling industry you work in. Get quick access to essential information like product specs, code numbers, technical documentation, certifications, accessories, and more.

Start browsing at store.danfoss.com.

Find technical documentation



Find the technical documentation you need to get your project up and running. Get direct access to our official collection of data sheets, certificates and declarations, manuals and guides, 3D models and drawings, case stories, brochures, and much more.

Start searching now at www.danfoss.com/en/service-and-support/documentation.

Danfoss Learning



Danfoss Learning is a free online learning platform. It features courses and materials specifically designed to help engineers, installers, service technicians, and wholesalers better understand the products, applications, industry topics, and trends that will help you do your job better.

Create your Danfoss Learning account for free at www.danfoss.com/en/service-and-support/learning.

Get local information and support



Local Danfoss websites are the main sources for help and information about our company and products. Find product availability, get the latest regional news, or connect with a nearby expert—all in your own language.

Find your local Danfoss website here: www.danfoss.com/en/choose-region.

Spare Parts



Get access to the Danfoss spare parts and service kit catalog right from your smartphone. The app contains a wide range of components for air conditioning and refrigeration applications, such as valves, strainers, pressure switches, and sensors.

Download the Spare Parts app for free at www.danfoss.com/en/service-and-support/downloads.

Any information, including, but not limited to information on selection of product, its application or use, product design, weight, dimensions, capacity or any other technical data in product manuals, catalogues descriptions, advertisements, etc. and whether made available in writing, orally, electronically, online or via download, shall be considered informative, and is only binding if and to the extent, explicit reference is made in a quotation or order confirmation. Danfoss cannot accept any responsibility for possible errors in catalogues, brochures, videos and other material. Danfoss reserves the right to alter its products without notice. This also applies to products ordered but not delivered provided that such alterations can be made without changes to form, fit or function of the product. All trademarks in this material are property of Danfoss A/S or Danfoss group companies. Danfoss and the Danfoss logo are trademarks of Danfoss A/S. All rights reserved.